



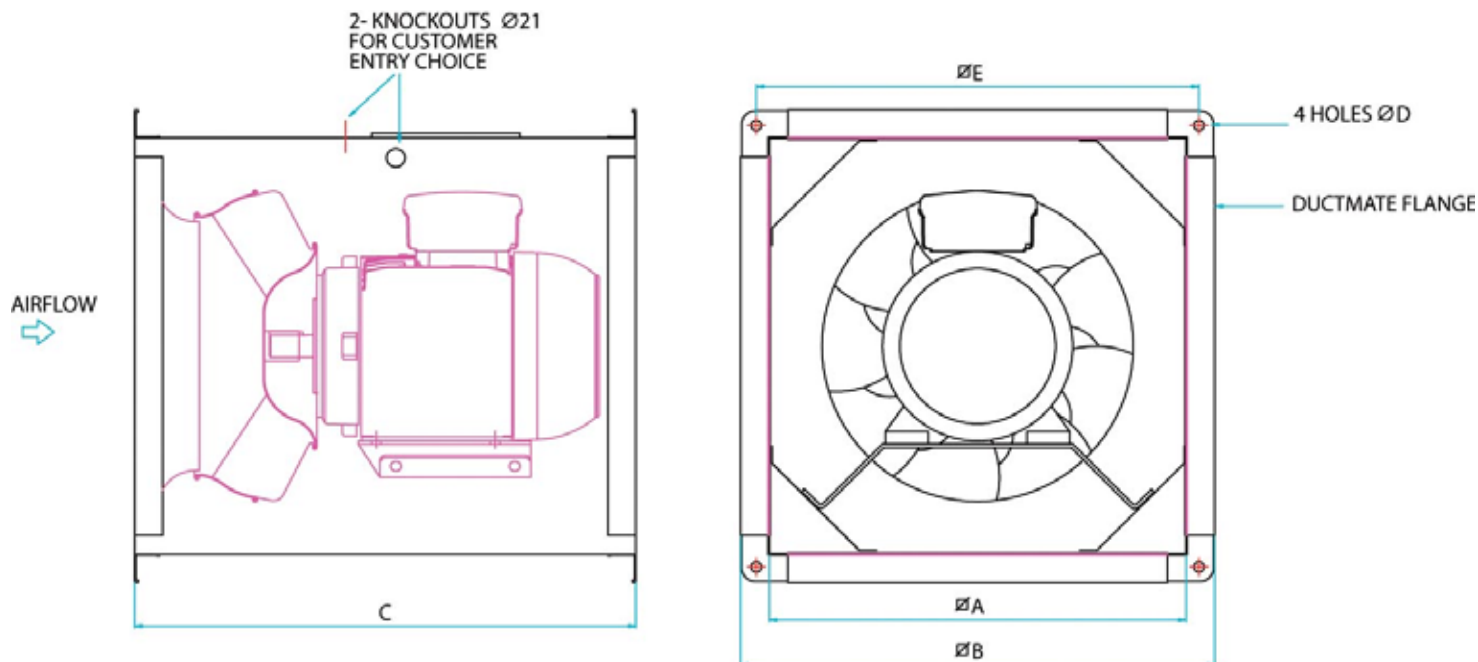
Multiflow SMB Installation and Maintenance Instructions

**THESE INSTRUCTIONS MUST BE READ FULLY BEFORE
COMMENCING INSTALLATION**

Code	Supply	FL Amps	Output kW	r/min
SMB350/4-5-2	230V/1Ph/50Hz	1.09	0.12	1300
SMB350/2-4-2	230V/1Ph/50Hz	2.55	0.37	2750
SMB400/4-5-2	230V/1Ph/50Hz	1.51	0.18	1300
SMB400/2-3-2	230V/1Ph/50Hz	6.15	1.0	2750
SMB450/4-5-2	230V/1Ph/50Hz	2.56	0.37	1350
SMB500/4-4-2	230V/1Ph/50Hz	3.70	0.55	1350
SMB550/4-4-2	230V/1Ph/50Hz	6.28	1.0	1350
SMB650/4-4-2	230V/1Ph/50Hz	10.1	1.5	1350

Code	Supply	FL Amps	Output kW	r/min
SMB500/6-5-3	400V/3Ph/50Hz	0.75	0.18	910
SMB500/4-5-3	400V/3Ph/50Hz	2.00	0.75	1410
SMB550/6-5-3	400V/3Ph/50Hz	1.27	0.37	920
SMB550/4-5-3	400V/3Ph/50Hz	2.90	1.1	1410
SMB650/6-5-3	400V/3Ph/50Hz	1.77	0.55	920
SMB650/4-4-3	400V/3Ph/50Hz	3.70	1.5	1420
SMB700/6-4-3	400V/3Ph/50Hz	2.12	0.75	920
SMB700/4-5-3	400V/3Ph/50Hz	6.78	3.0	1415
SMB800/8-5-3	400V/3Ph/50Hz	2.33	0.75	700
SMB800/6-4-3	400V/3Ph/50Hz	4.30	1.5	940
SMB1000/8-4-3	400V/3Ph/50Hz	5.31	2.2	710
SMB1000/6-3-3	400V/3Ph/50Hz	8.95	4.0	940

Code	A	B	C	D	E	Ductmate Flange	Impeller Dia	Weight kg
SMB350	350	400	420	9	375	25	250	22
SMB400	400	450	480	9	425	25	315	30
SMB450	450	500	470	9	475	25	350	26
SMB500	500	550	500	9	525	25	400	30
SMB550	550	620	550	11	585	35	450	44
SMB650	650	720	600	11	685	35	500	58
SMB700	700	770	650	11	735	35	560	63
SMB800	800	870	700	11	835	35	630	79
SMB1000	1000	1070	800	11	1035	35	800	118



1.0 GENERAL

- 1.1 It is important these Installation and Maintenance Instructions are fully adhered to.
- 1.2 Full details of the unit supplied are shown on the product nameplate. If in doubt about any detail contact Elta Fans Ltd or its agents for clarification.
- 1.3 All electrical installation must be carried out by suitably qualified and competent personnel in accordance with all current statutory requirements.
- 1.4 These instructions cover only the Elta Fans Ltd product and do not include the supply or installation of any safety equipment that may be required e.g. adequate guarding or protection from rotating parts and proper electrical isolation.
- 1.5 Any declarations made by Elta Fans Ltd about product installation and safety, are dependant on the fan equipment being used within installations which themselves meet the requirements of the relevant Standards and Directives of your region.
- 1.6 The fan is designed for use in an ambient temperature of -20°C up to $+50^{\circ}\text{C}$ and up to 95% relative humidity. The fan is not suitable for corrosive or explosive atmospheres.
- 1.7 The installer should provide easy access to the fan to facilitate future maintenance.
- 1.8 The installer should ensure the fan is adequately supported.
- 1.9 This product is not intended for use by persons (including children) with reduced physical, sensory or mental capabilities, or lack of experience and knowledge, unless they have been given supervision or instruction concerning use of the product by a person responsible for their safety. Children should be supervised to ensure that they do not play with the product.

2.0 INSTALLATION

WARNING – The fan must be isolated from the power supply during installation and maintenance. The fan must be earthed in accordance with the local regulations.

- 2.1 Upon receipt, the fan equipment should be visually inspected to check for any damage. Ensure that the impeller is free to rotate.
- 2.2 If there are any queries concerning the fan equipment, Elta Fans Ltd should be contacted prior to the installation.
- 2.3 The fan must be securely mounted in the desired position to suit the application. The fan can be mounted at any angle.
- 2.4 Check the details on the motor rating plate to ensure that the correct power supply (voltage, frequency and phase) is available.
An incorrect power supply will lead to permanent damage to the fan motor.
- 2.5 Refer to the appropriate wiring diagram. Ensure that all earth connections are made.
- 2.6 Means for electrical disconnection must be incorporated in the wiring installation in accordance with the relevant wiring and electrical regulations.
- 2.7 Precaution must be taken to locate the exhaust discharge terminal so as to avoid the backflow of gases into the room from the open flue of gas or other fuel burning appliances.

3.0 START-UP

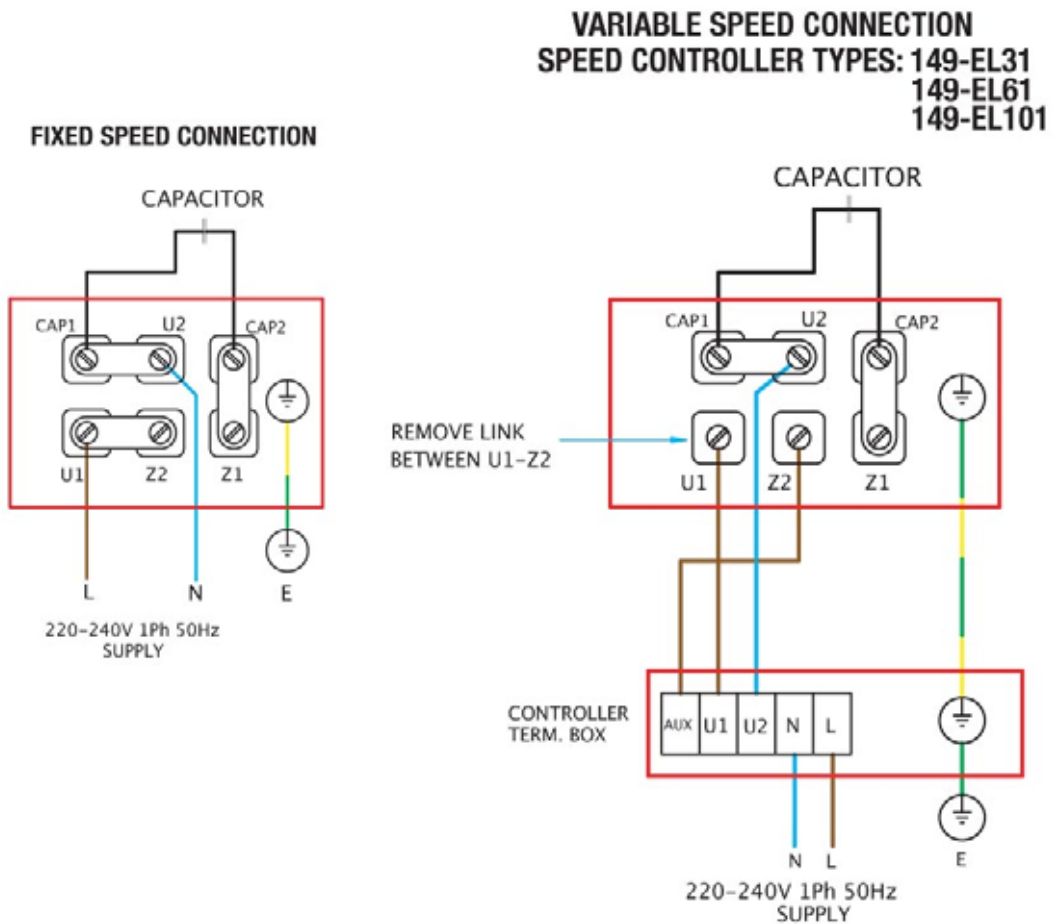
- 3.1 Before power is supplied to the unit, check that the wiring is correct as per the fan connection diagram.
- 3.2 At initial start-up, check that impeller rotation and airflow direction is correct.
- 3.3 Check that the motor amperage draw does not exceed the nameplate rating.

4.0 FAN MAINTENANCE

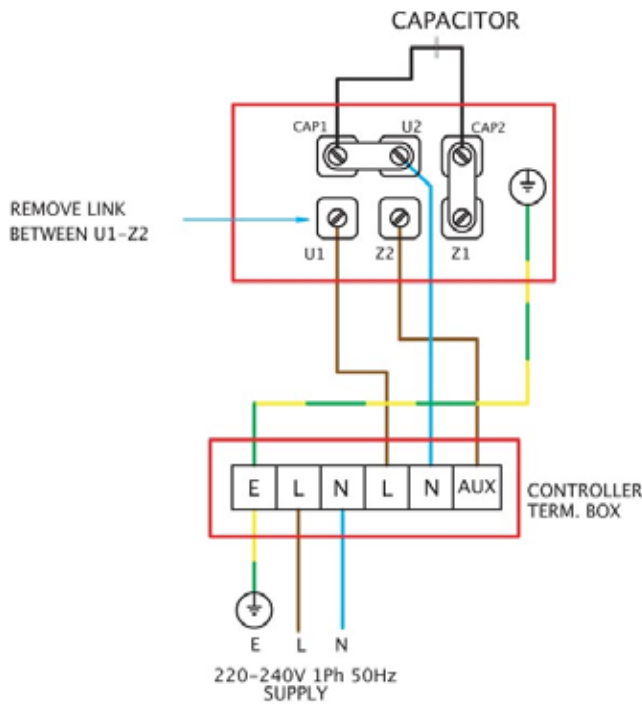
- 4.1 Inspection of the fan at least once every 12 months is recommended to ensure that the motor, fan blades, and supporting guards, are clean. Any build up of dust and deposits on the blades or guards should be removed using a non-abrasive cleaner.
- 4.2 All fastenings should be checked for tightness. In addition, all rotating items should be checked.
- 4.3 Bearings are of the 'sealed for life' type and will not need a detailed inspection.

WARNING – Fuses/circuit breakers are used to provide short circuit protection only. A starter panel with overload protection should be used to protect the motor. Only a suitably qualified and competent person may carry out maintenance after the electrical supply has been isolated.

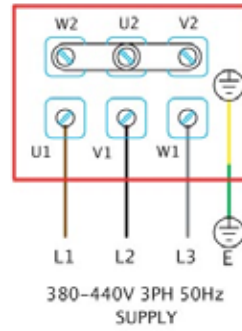
WIRING



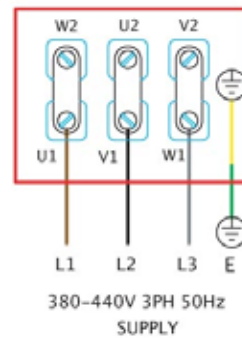
VARIABLE SPEED CONNECTION
SPEED CONTROLLER TYPES: 149-TC12
149-TC14
149-TC18
149-TC110



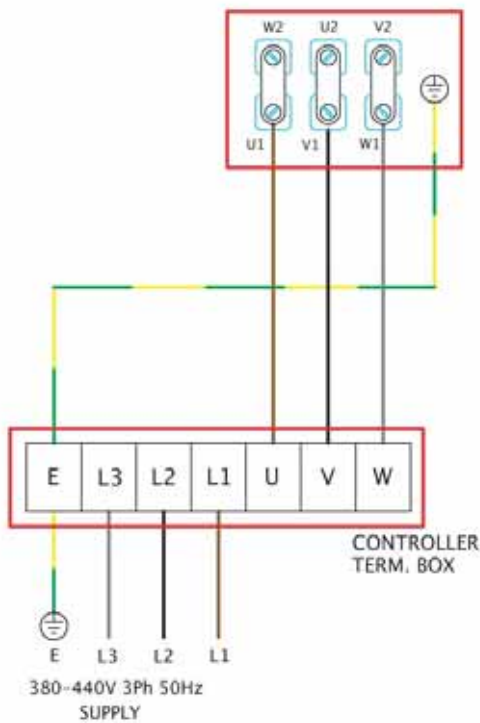
FIXED SPEED STAR CONNECTION



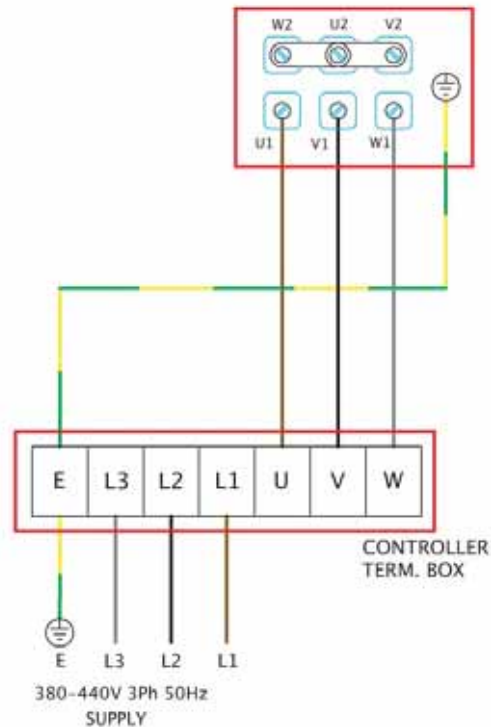
FIXED SPEED DELTA CONNECTION



VARIABLE SPEED DELTA CONNECTION
CONTROLLER TYPE: 149-TC33
149-TC35
149-TC310



VARIABLE SPEED STAR CONNECTION
CONTROLLER TYPE: 149-TC33
149-TC35
149-TC310



GUARANTEE

Elta Fans Ltd will, free of charge, within a period of 1 year from the date of despatch from their works, repair or at its option replace any goods which are proved to have defects as a result of defective materials or workmanship. The goods MUST be returned to Elta Fans Ltd carriage paid for examination.

Elta Fans Ltd

17 Barnes Wallis Road
Segensworth East Industrial Estate
Fareham, Hampshire, PO15 5ST, United Kingdom

Visit: eltafans.com

e-mail: mailbox@eltafans.co.uk

Applied Technology: **Tel:** +44(0) 1489 566500

Fax: +44(0) 1489 566555

Building Services: **Tel:** +44(0) 1384 275800

Fax: +44(0) 1384 275810

Export: **Tel:** +44(0) 1489 566500

Fax: +44(0) 1489 566555

SMB Inst Issue 1: 06-07-07