



Compact SCD/A Installation and Maintenance Instructions

**THESE INSTRUCTIONS MUST BE READ FULLY BEFORE
COMMENCING INSTALLATION**

Code	Supply	FL Amps	Output kW	r/min
SCD250/4-1	230V/1Ph/50Hz	0.90	0.09	1455
SCD315/4-1	230V/1Ph/50Hz	0.90	0.09	1390
SCD350/4-1	230V/1Ph/50Hz	0.90	0.09	1330
SCD400/4-1	230V/1Ph/50Hz	1.80	0.25	1375
SCD450/6-1	230V/1Ph/50Hz	1.05	0.12	850
SCD450/4-1	230V/1Ph/50Hz	1.80	0.25	1300
SCD500/6-1	230V/1Ph/50Hz	1.55	0.18	860
SCD500/4-1	230V/1Ph/50Hz	3.60	0.55	1350
SCD560/6-1	230V/1Ph/50Hz	2.20	0.25	875
SCD560/4-1	230V/1Ph/50Hz	4.90	0.75	1350
SCD630/6-1	230V/1Ph/50Hz	6.00	0.55	850
SCD630/4-1	230V/1Ph/50Hz	7.90	1.1	1310

Code	Supply	FL Amps	Output kW	r/min
SCD315/4-3	400V/3Ph/50Hz	0.50	0.12	1390
SCD350/4-3	400V/3Ph/50Hz	0.50	0.12	1330
SCD400/4-3	400V/3Ph/50Hz	1.40	0.37	1375
SCD450/6-3	400V/3Ph/50Hz	0.68	0.18	850
SCD450/4-3	400V/3Ph/50Hz	1.40	0.37	1300
SCD500/6-3	400V/3Ph/50Hz	0.94	0.25	830
SCD500/4-3	400V/3Ph/50Hz	1.75	0.55	1320
SCD560/6-3	400V/3Ph/50Hz	0.94	0.25	830
SCD560/4-3	400V/3Ph/50Hz	2.00	0.75	1320
SCD630/6-3	400V/3Ph/50Hz	1.90	0.55	850
SCD630/4-3	400V/3Ph/50Hz	4.30	1.5	1320

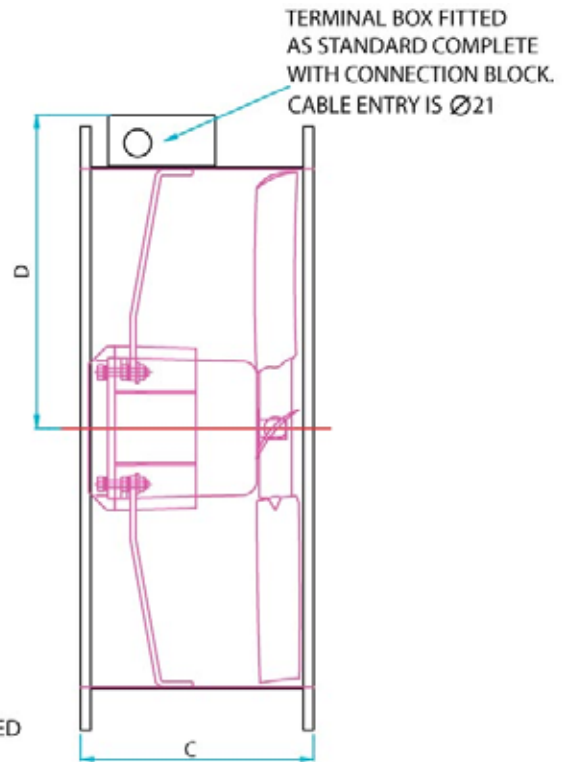
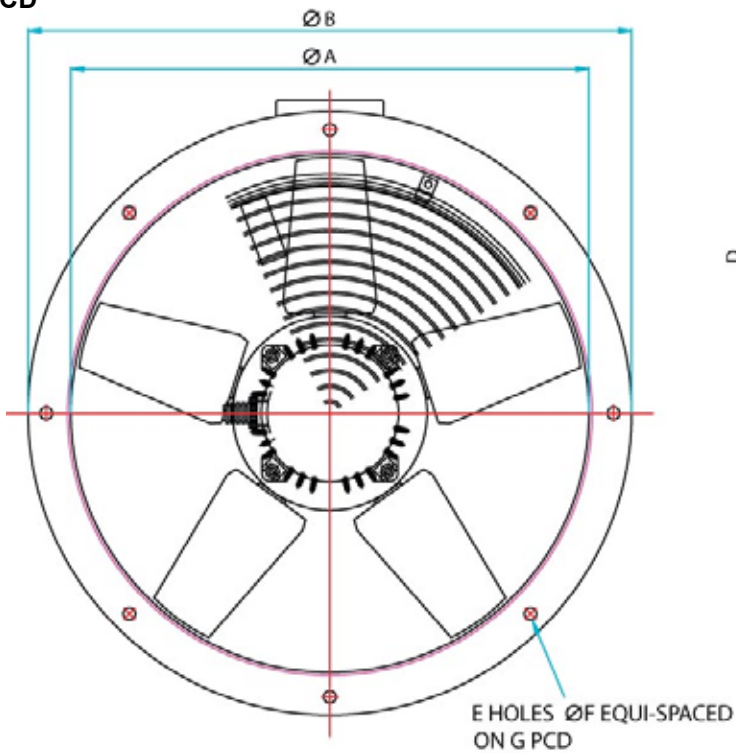
Code	Supply	FL Amps	Output kW	r/min
SCDA315/4-1	230V/1Ph/50Hz	0.90	0.09	1370
SCDA350/4-1	230V/1Ph/50Hz	0.90	0.09	1290
SCDA400/4-1	230V/1Ph/50Hz	1.80	0.25	1385
SCDA450/4-1	230V/1Ph/50Hz	3.00	0.37	1340

SCDA500/4-1	230V/1Ph/50Hz	4.90	0.75	1375
SCDA560/4-1	230V/1Ph/50Hz	7.90	1.1	1340
SCDA630/4-1	230V/1Ph/50Hz	7.90	1.1	1310

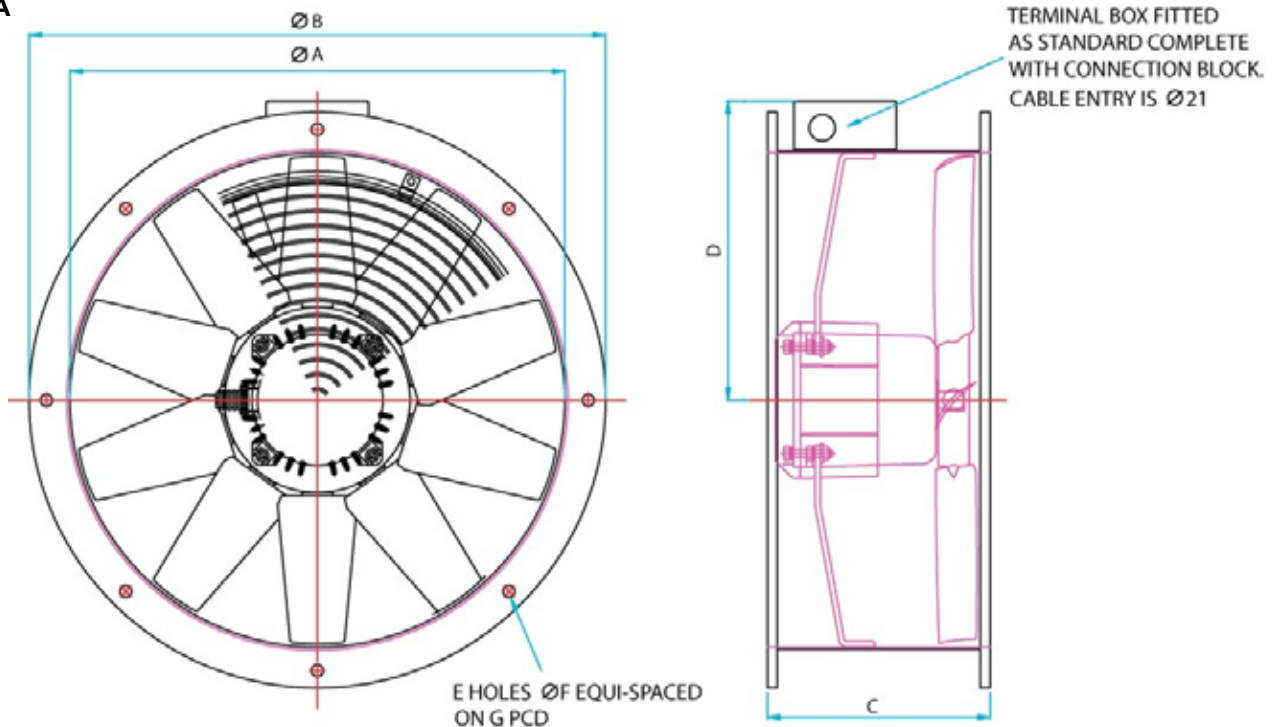
Code	A	B	C	D	E	F	G	Weight kg
SCD250	250	306	180	165	8	7	286	7
SCD315	315	382	180	207	8	9.5	356	9
SCD350	350	421	180	224	8	9.5	395	10
SCD400	400	466	190	249	12	9.5	438	12
SCD450	450	515	190	274	12	9.5	487	14
SCD500	500	567	250	300	12	9.5	541	21
SCD560	560	636	250	330	16	11.5	605	23
SCD630	630	709	250	365	16	11.5	674	30

Code	A	B	C	D	E	F	G	Weight kg
SCDA315	315	382	180	207	8	9.5	356	10
SCDA350	350	421	180	224	8	9.5	395	10
SCDA400	400	466	190	249	12	9.5	438	14
SCDA450	450	515	190	274	12	9.5	487	16
SCDA500	500	567	250	300	12	9.5	541	23
SCDA560	560	636	250	330	16	11.5	605	26
SCDA630	630	709	250	365	16	11.5	674	28

SCD



SCDA



1.0 GENERAL

- 1.1 It is important these Installation and Maintenance Instructions are fully adhered to.
- 1.2 Full details of the unit supplied are shown on the product nameplate. If in doubt about any detail contact Elta Fans Ltd or its agents for clarification.
- 1.3 All electrical installation must be carried out by suitably qualified and competent personnel in accordance with all current statutory requirements.
- 1.4 These instructions cover only the Elta Fans Ltd product and do not include the supply or installation of any safety equipment that may be required e.g. adequate guarding or protection from rotating parts and proper electrical isolation.
- 1.5 Any declarations made by Elta Fans Ltd about product installation and safety, are dependant on the fan equipment being used within installations which themselves meet the requirements of the relevant Standards and Directives of your region.
- 1.6 The fan is designed for use in an ambient temperature of -20°C up to $+70^{\circ}\text{C}$ fixed speed, -20°C up to $+50^{\circ}\text{C}$ when used with a speed controller and up to 95% relative humidity. The fan is not suitable for corrosive or explosive atmospheres.
- 1.7 The installer should provide easy access to the fan to facilitate future maintenance.
- 1.8 The installer should ensure the fan is adequately supported.
- 1.9 This product is not intended for use by persons (including children) with reduced physical, sensory or mental capabilities, or lack of experience and knowledge, unless they have been given supervision or instruction concerning use of the product by a person responsible for their safety. Children should be supervised to ensure that they do not play with the product.

2.0 INSTALLATION

WARNING – The fan must be isolated from the power supply during installation and maintenance. The fan must be earthed in accordance with the local regulations.

- 2.1 Upon receipt, the fan equipment should be visually inspected to check for any damage. Ensure that the impeller is free to rotate.
- 2.2 If there are any queries concerning the fan equipment, Elta Fans Ltd should be contacted prior to the installation.
- 2.3 The fan must be securely mounted in the desired position to suit the application. The fan can be mounted at any angle.
- 2.4 Check the details on the motor rating plate to ensure that the correct power supply (voltage, frequency and phase) is available. An incorrect power supply will lead to permanent damage to the fan motor.

- 2.5 Refer to the appropriate wiring diagram. Ensure that all earth connections are made.
- 2.6 Means for electrical disconnection must be incorporated in the wiring installation in accordance with the relevant wiring and electrical regulations.
- 2.7 Precaution must be taken to locate the exhaust discharge terminal so as to avoid the backflow of gases into the room from the open flue of gas or other fuel burning appliances.

3.0 START-UP

- 3.1 Before power is supplied to the unit, check that the wiring is correct as per the fan connection diagram.
- 3.2 At initial start-up, check that impeller rotation and airflow direction is correct.
- 3.3 Check that the motor amperage draw does not exceed the nameplate rating.

4.0 FAN MAINTENANCE

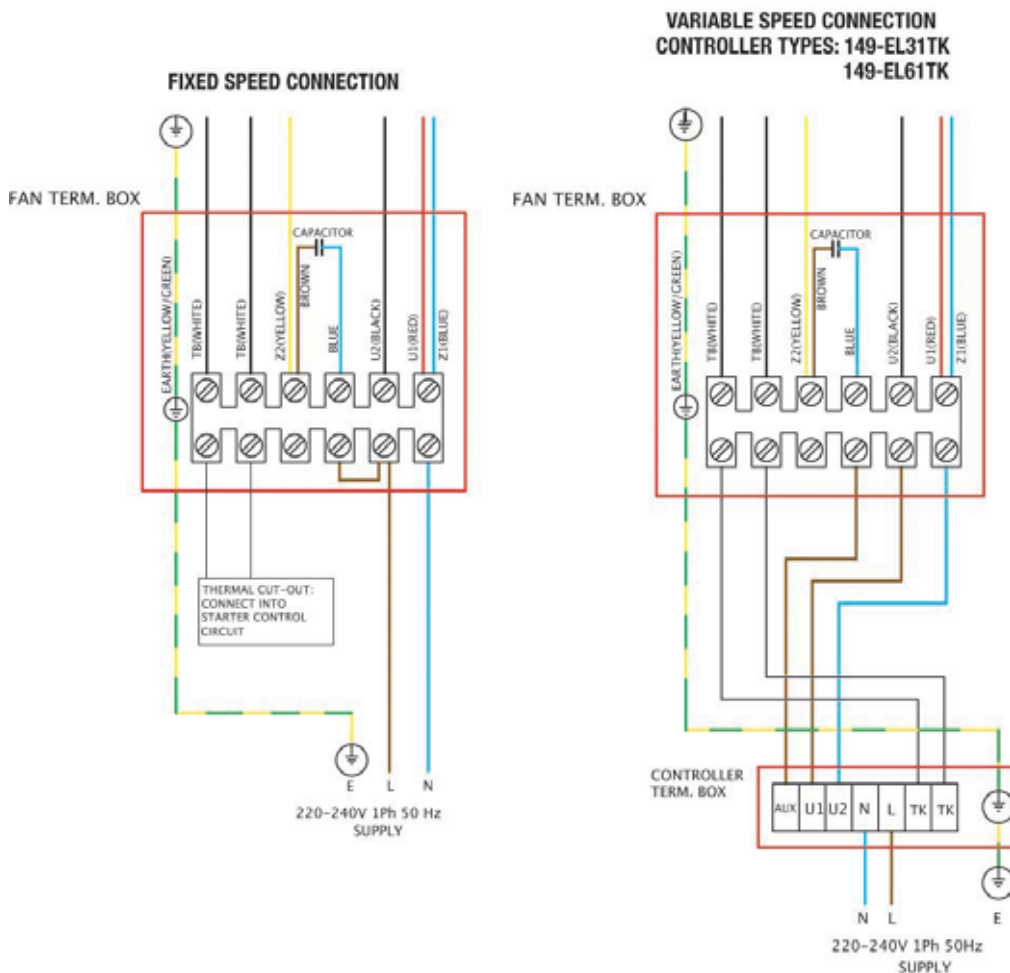
- 4.1 Inspection of the fan at least once every 12 months is recommended to ensure that the motor, fan blades, and supporting guards, are clean. Any build up of dust and deposits on the blades or guards should be removed using a non-abrasive cleaner.
- 4.2 All fastenings should be checked for tightness. In addition, all rotating items should be checked.
- 4.3 Bearings are of the 'sealed for life' type and will not need a detailed inspection.

WARNING – This fan is fitted with an auto-reset thermal contact which switches the fan off in the event of a fault condition.

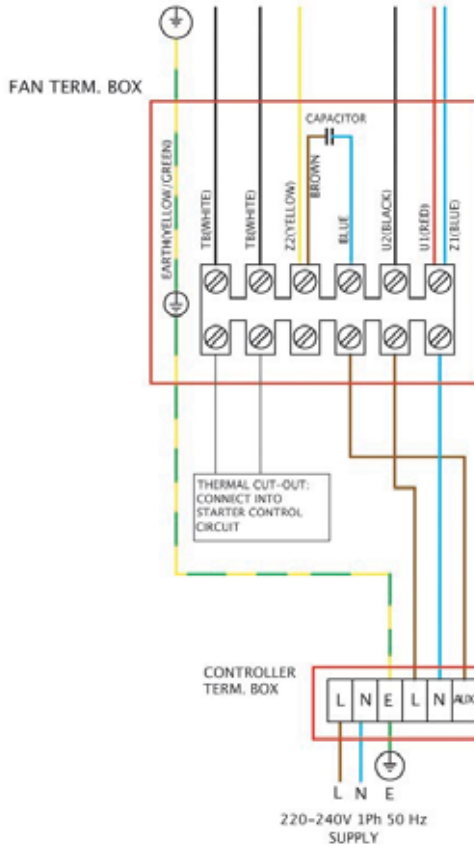
Once the motor cools down the fan may start unexpectedly.

Only a suitably qualified and competent person may carry out maintenance after the electrical supply has been isolated.

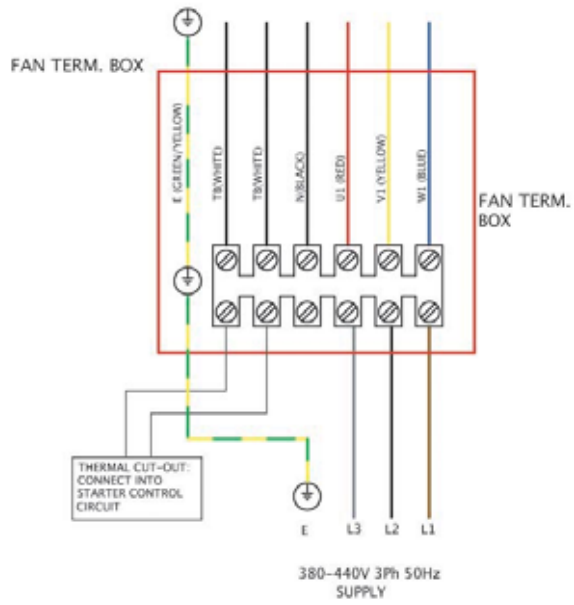
WIRING



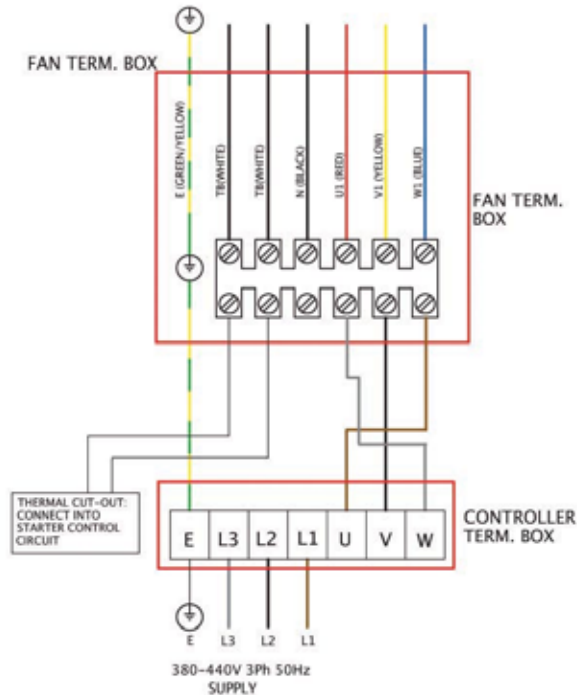
VARIABLE SPEED CONNECTION
CONTROLLER TYPES: 149-TC12
149-TC14
149-TC18
149-TC110



FIXED SPEED CONNECTION



VARIABLE SPEED CONNECTION
CONTROLLER TYPE: 149-TC3**



GUARANTEE

Elta Fans Ltd will, free of charge, within a period of 1 year from the date of despatch from their works, repair or at its option replace any goods which are proved to have defects as a result of defective materials or workmanship. The goods MUST be returned to Elta Fans Ltd carriage paid for examination.

Elta Fans Ltd

17 Barnes Wallis Road
Segensworth East Industrial Estate
Fareham, Hampshire, PO15 5ST, United Kingdom

Visit: eltafans.com

e-mail: mailbox@eltafans.co.uk

Applied Technology: **Tel:** +44(0) 1489 566500

Fax: +44(0) 1489 566555

Building Services: **Tel:** +44(0) 1384 275800

Fax: +44(0) 1384 275810

Export: **Tel:** +44(0) 1489 566500

Fax: +44(0) 1489 566555

SCD Inst Issue 1: 29-06-07