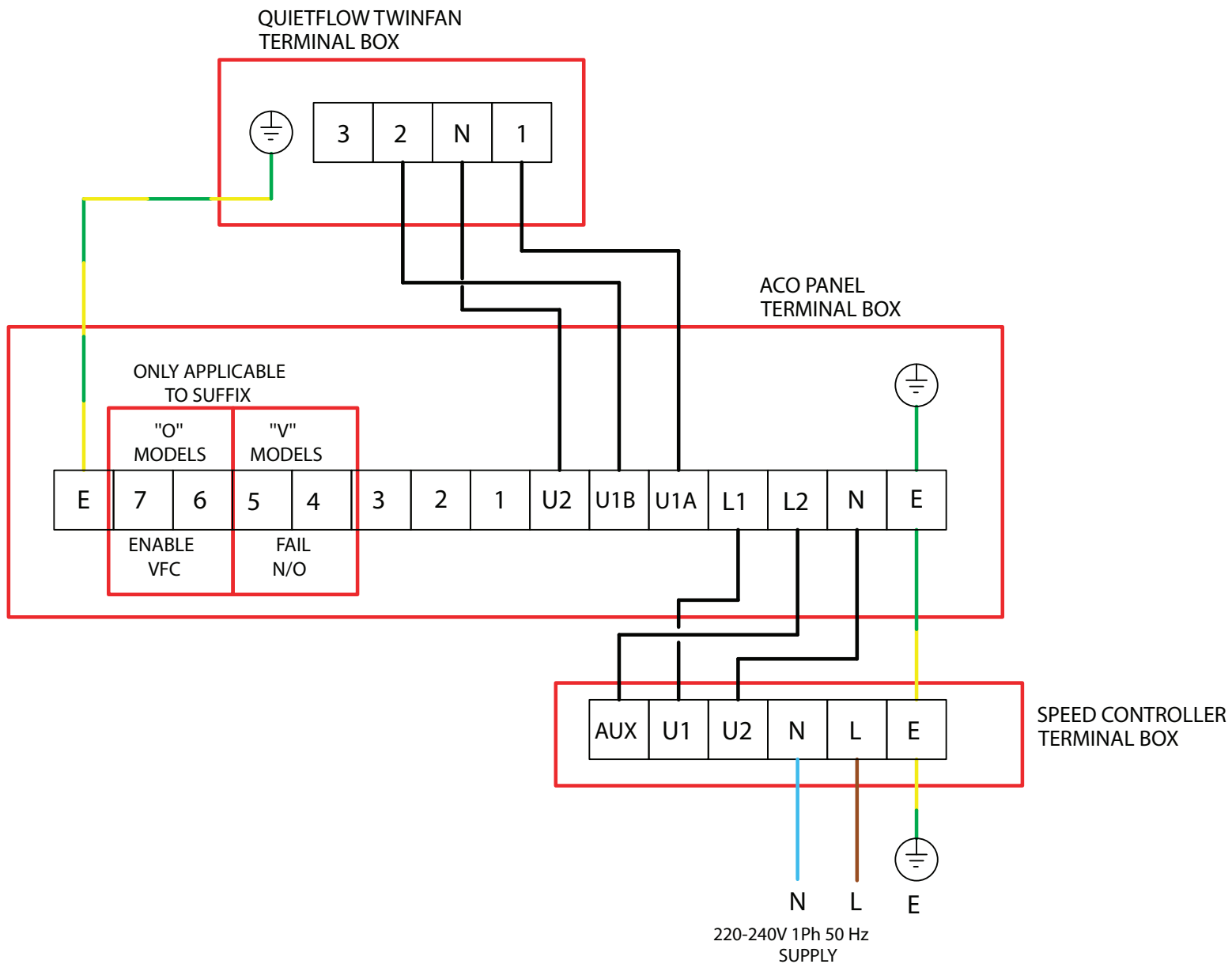


Wiring Diagrams

QUIETFLOW SQT 220V-240V SINGLE PHASE C/W AC01/B* & EL31/EL61

CHANGEOVER PANEL TYPES: 149-AC01/B 149-AC01/BO
 149-AC01/BV 149-AC01/BVO
 149-AC01/BD 149-AC01/BDO
 149-AC01/BDV 149-AC01/BDVO

CONTROLLER TYPES: 149-EL31
 149-EL61

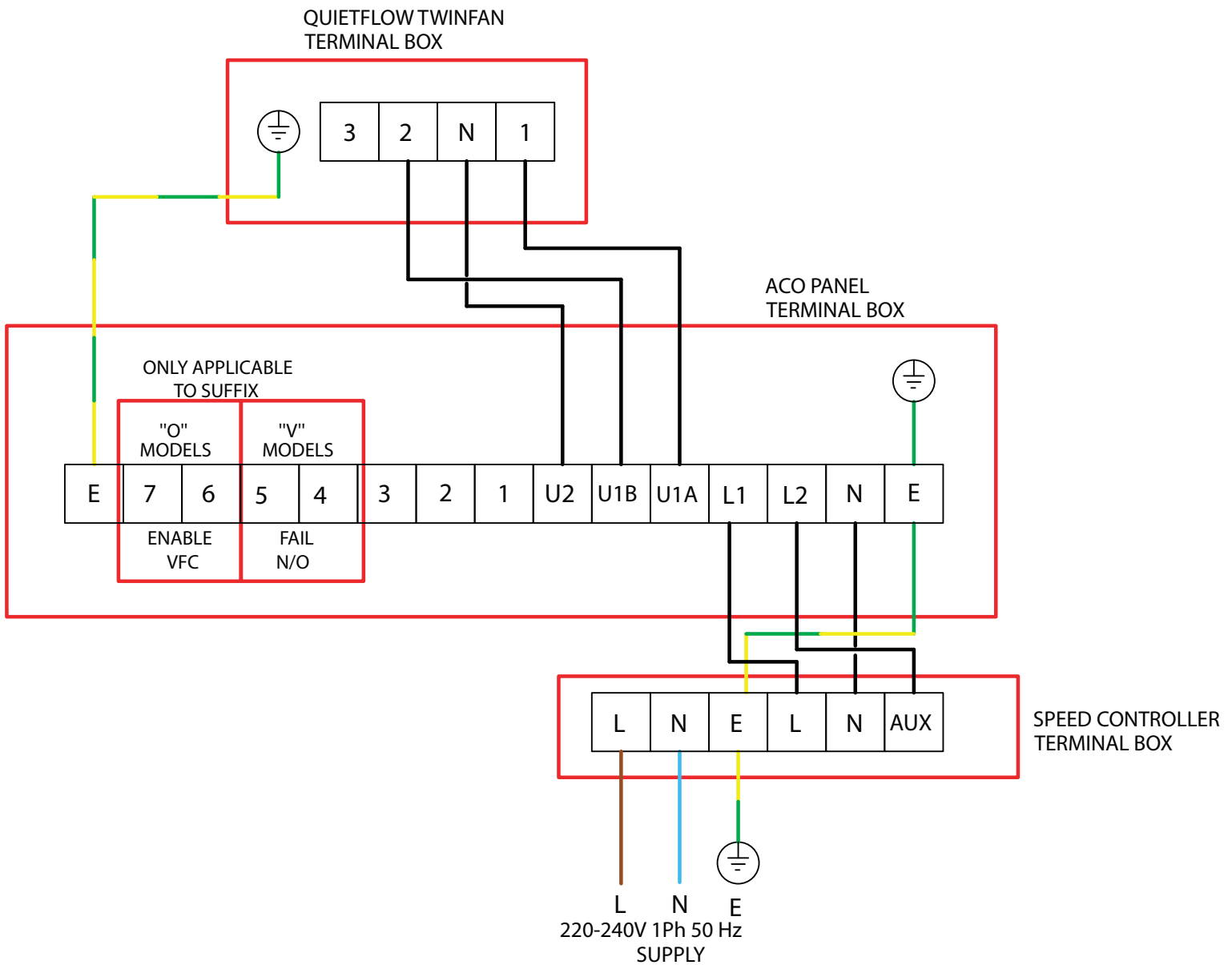


Wiring Diagrams

QUIETFLOW SQT 220V-240V SINGLE PHASE C/W AC01/B* & TC*

CHANGEOVER PANEL TYPES: 149-AC01/B 149-AC01/B0
 149-AC01/BV 149-AC01/BV0
 149-AC01/BD 149-AC01/BDO
 149-AC01/BDV 149-AC01/BDV0

CONTROLLER TYPES: 149-TC12 149-TC110
 149-TC14 149-TC112
 149-TC18 149-TC116

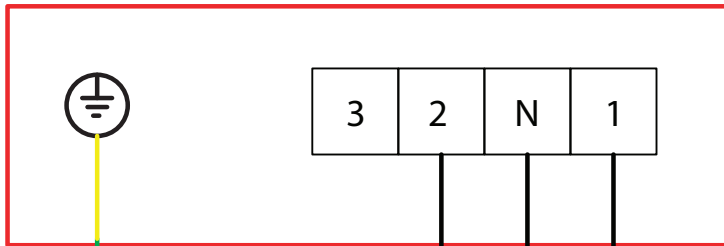


Wiring Diagrams

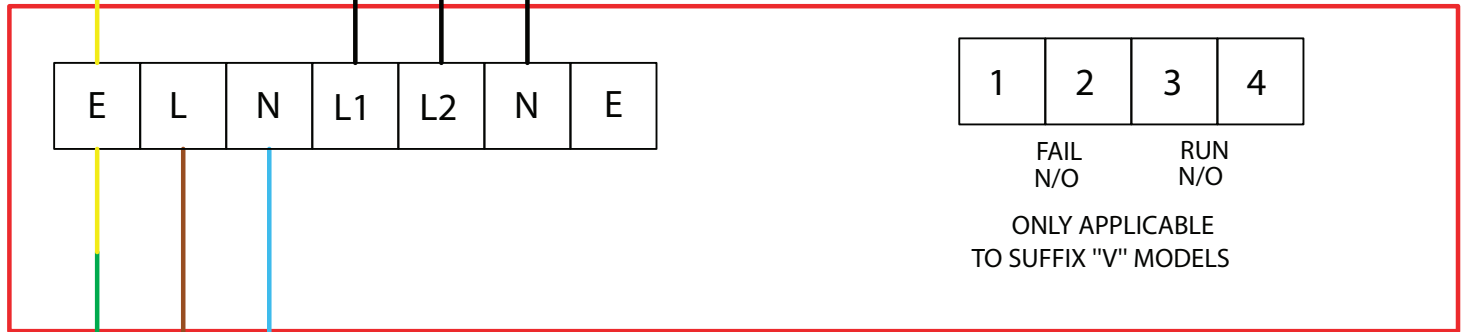
QUIETFLOW SQT 220V-240V SINGLE PHASE C/W AC01/E, EV, ED, EDV

**CHANGEOVER PANEL TYPES: 149-AC01/E
149-AC01/EV
149-AC01/ED
149-AC01/EDV**

QUIETFLOW TWINFAN
TERMINAL BOX



ACO PANEL
TERMINAL BOX



E L N
220-240V 1Ph 50 Hz
SUPPLY