

- 200mm – 760mm diameter
- Suitable for operating up to 50°C
- Volume flow up to 8.3m³/s
- Static pressures up to 940 Pa

- High volume flow and pressure development
- Motor protection IP55
- Inverter Controllable

Axcent 3

Boxed Fans

Sizes

200, 250, 330, 400, 500, 630 and 760mm diameter .

Fan Performance

The fan is of high static efficiency design to give low running costs. The impeller is designed to give excellent performance characteristics with high volume flow and static pressure development without stall.

Impellers

Manufactured from aluminium to Fläkt Woods patented mixed flow design with integral inlet fairing spun to close tolerances to give optimum performance.

Motors

All motors are totally enclosed airstream rated, class F insulation with motor protection to IP55.

All motors are supplied with sealed for life bearings. These motors are suitable for inverter speed control down to 20% of full speed.

Electrical Supply

220 - 240V / 50Hz / 1 ϕ

380 - 420V / 50Hz / 3 ϕ

Temperature Range

-20°C to 50°C

Casings

Fabricated from corrosion resistant pre-galvanised sheet steel with proprietary flanged system to HVAC specification DW 144.

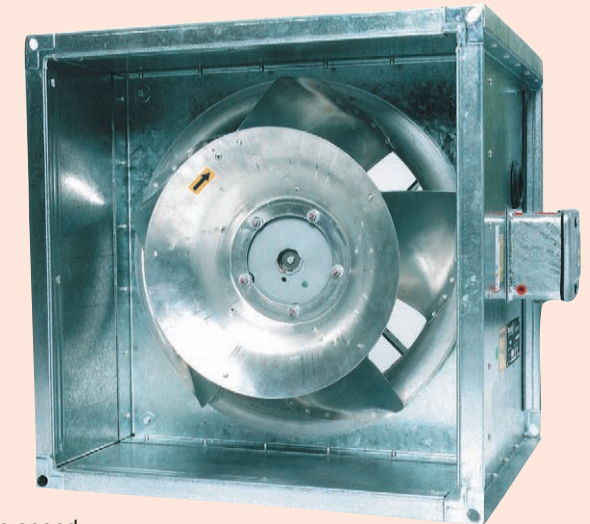
Fan support arms are of mild steel, resiliently mounted to a plate.

Accessories

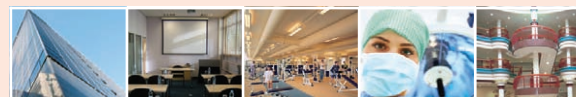
Silencers, Vibration isolators*, Matching flanges, Flexible connectors, Electronic and transformer type speed controllers.

For a full range please see pages 100-101.

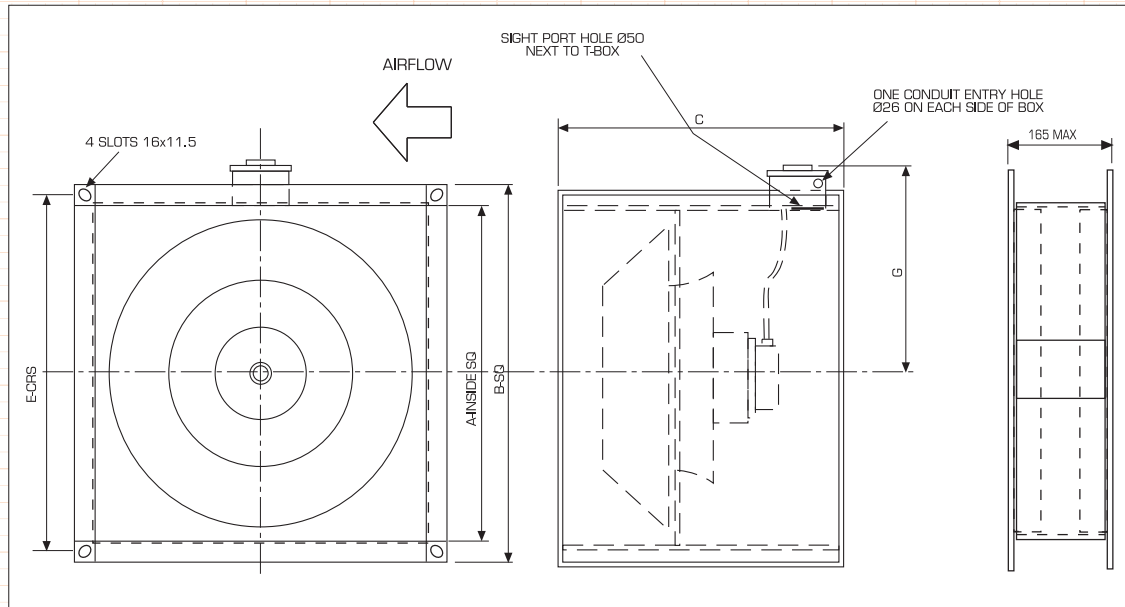
* Fan units have integral resilient mountings on motor arms, therefore vibration isolators are not normally required.



Application Guide



Drawing and Dimensions

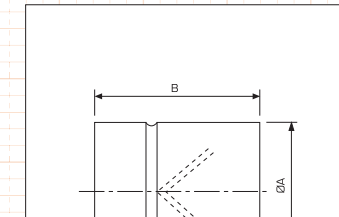


**Axcent 3
Boxed Fans**

Type	A	B	C	E	G	Connector Assembly Weight (kg)	Fan Weight (kg)
200	320	378	280	353	252	3.97	16.5
250	410	468	340	443	297	4.91	26
330	460	518	380	493	322	5.44	31.5
400	518	576	510	551	351	6.03	38
500	710	768	610	743	447	8.03	74.5
630	915	973	660	948	550	10.18	109
760	1100	1158	800	1133	642	12.1	190

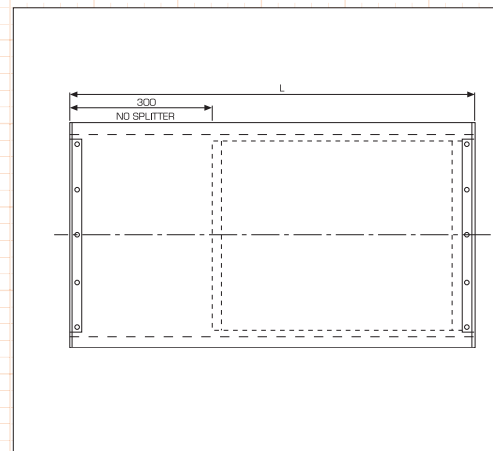
Damper

Product Code	Product Number	A	B
A0D-100	DA410605	100	70
A0D-125	DA410606	125	90
A0D-150	DA410607	150	100
A0D-200	DA410608	200	130
A0D-250	DA410609	250	150
A0D-315	DA410610	315	150



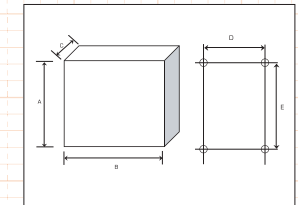
Silencer

Fan Code	Product Number	Silencer Code	L	Weight (kg)
200	SX154101	AXS20/90	900	29
	SX155101	AXS20/120	1200	31
250	SX184101	AXS25/90	900	32
	SX185101	AXS25/120	1200	41
330	SX204101	AXS33/90	900	34
	SX205101	AXS33/120	1200	45
400	SX244101	AXS40/90	900	37
	SX245101	AXS40/120	1200	51
500	SX274101	AXS50/90	900	41
	SX275101	AXS50/120	1200	62
630	SX304101	AXS63/90	900	55
	SX305101	AXS63/120	1200	83
760	SX324101	AXS76/90	900	85
	SX325101	AXS76/120	1200	97



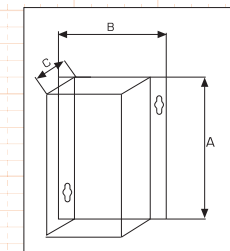
Transformer Speed Controller

Type	Number Product	A	B	C	D	E	Max. Weight (kg)
MT1.1.5	402008	205	115	100	98	140	2.1
MT1.5	423099	255	170	140	155	194	5.5
MT1.12	402010	325	300	185	255	255	15.6
MT3.1	402011	255	170	140	155	194	7.7
MT3.7	402013	425	300	235	255	355	26



Inverter

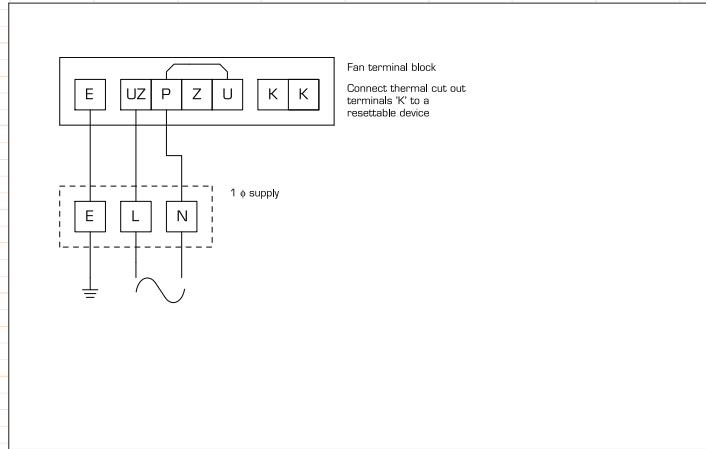
Type	Product Number	A	B	C	Weight (kg)
FWX1	430412	420	242	195	14.2
FWX2	430413	420	242	195	14.2
FWX6	430417	420	242	195	14.2



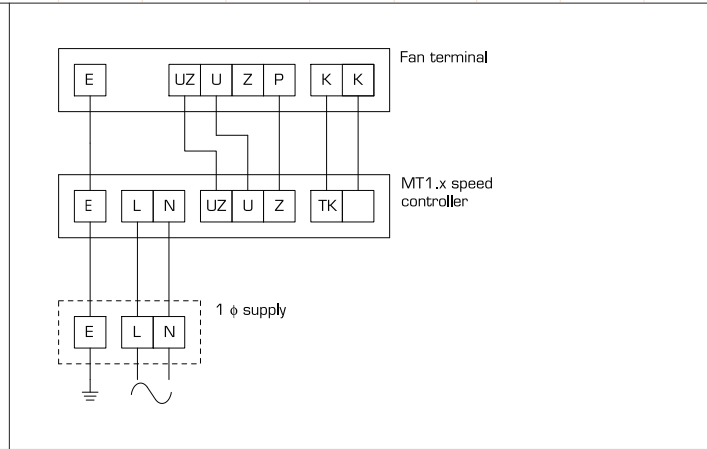
Wiring Diagrams

CD1609

Fan

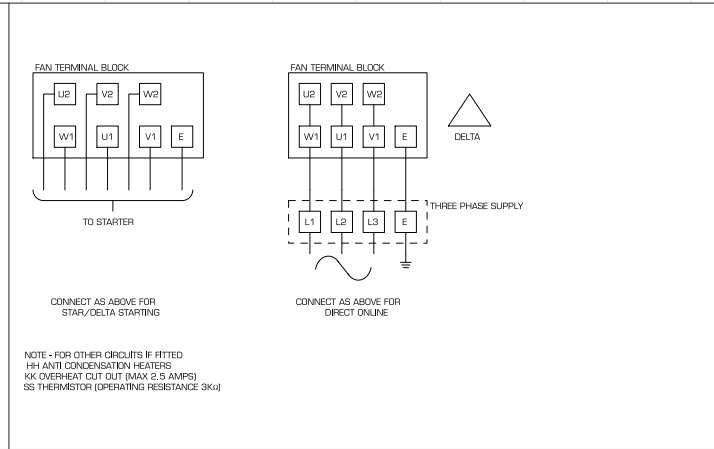


Fan + Transformer Controller



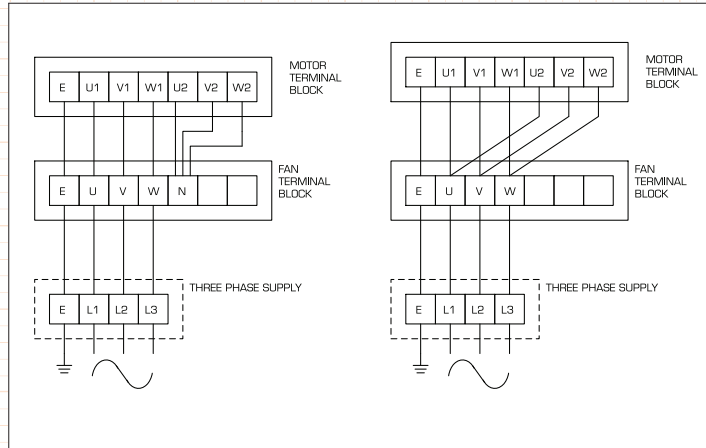
CD1343

Fan

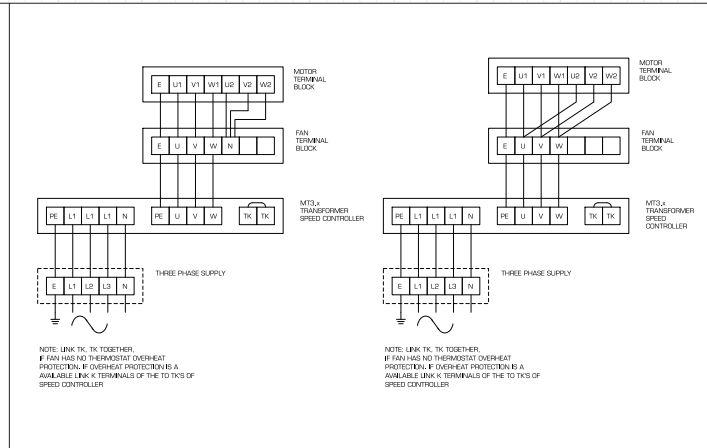


CD1671

Fan



Fan + Transformer Controller



CD1343

Fan + Transformer Controller

