

- 400mm - 1000mm diameter
- Volume flow up to 12m<sup>3</sup>/s
- Static pressures up to 650 Pa
- Suitable for temperatures up to 200°C
- Motor protection IP55
- Overheat protection fitted as standard

- All aluminium cast components are x-ray examined
- All casings are hot dipped galvanised
- Multi-stage is available for higher pressures
- All casings are hot dipped galvanised
- Inverter speed controllable
- Larger sizes are available

**Sizes**

40JM.Bif - 400mm, 50JM.Bif - 500mm, 63JM.Bif - 630mm, 80JM.Bif - 800mm. 800 and 1000mm JM.Bif available please contact Fläkt Woods for details. Also larger sizes are available, please enquire.

**Fan Performance**

Coupled with the above fan diameters the fully adjustable pitch Aerofoil impeller gives the exact performance required with a non overloading fan characteristic. Higher pressures are obtained by multi-staging the Bifurcated Aerofoil fan.

**Impellers**

A unique high efficiency aerofoil section blade with a purposely smoothed hub and clamp plate for adjustable pitch angle availability.

The Fläkt Woods impellers are all high pressure die cast to offer thin aerofoil sections for low generation of noise. Every component is X-rayed using Real Time Radiography inspection prior to assembly. The maximum pitch angles shown allow for speed control by frequency inverter.

**Motors**

All motors are totally enclosed fan cooled class F insulation with protection to IP55. All motors are supplied with sealed for life bearings or extended lubricators.

These motors are suitable for inverter speed control down to 20% of full speed.

**Electrical Supply**

380 - 420V / 50Hz / 3 φ

**Temperature Range**

Up to 200°C continuous operation.

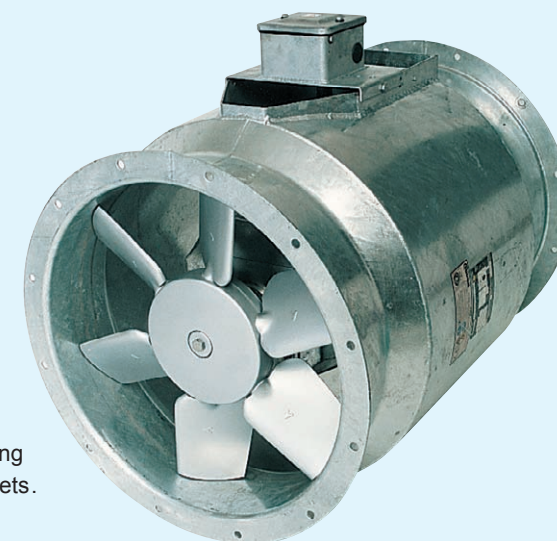
**Casings**

Bifurcated fans are available long case only. Long casing covers impeller and motor and has duct mounted terminal box. The hot dipped galvanised casing gives a high resistance to corrosion.

**Accessories**

Silencers, Mounting feet, Vibration isolators, Matching flanges, Flexible connectors, Guards, Bell mouth inlets. For a full range please see pages 58-61.

**JM Bifurcated  
Cased Fans**



**Application Guide**





Telephone:  
01206 222 555

Fax:  
01206 222 905

Email:  
fans.uk@flaktwoods.com

Express Website:  
www.flaktwoods.com/express

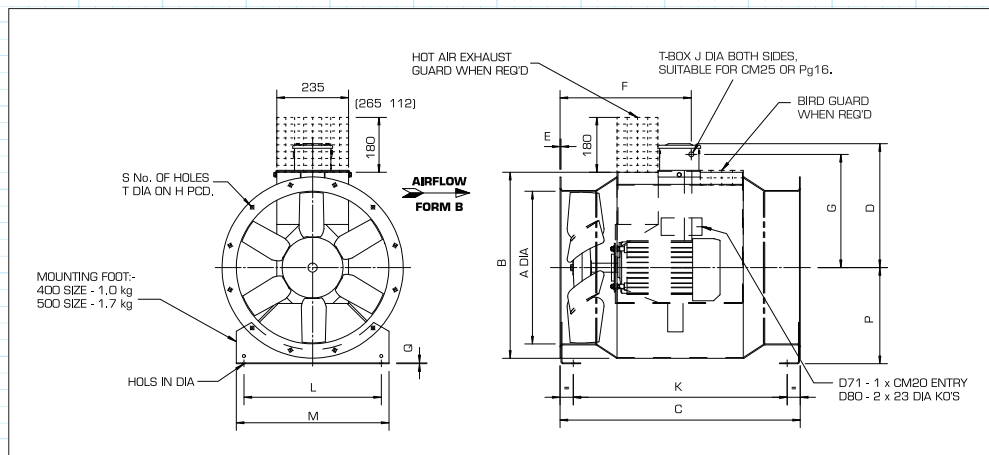
Fan Selector:  
www.flaktwoods.com/fanselector

# JM Bifurcated Cased Fans

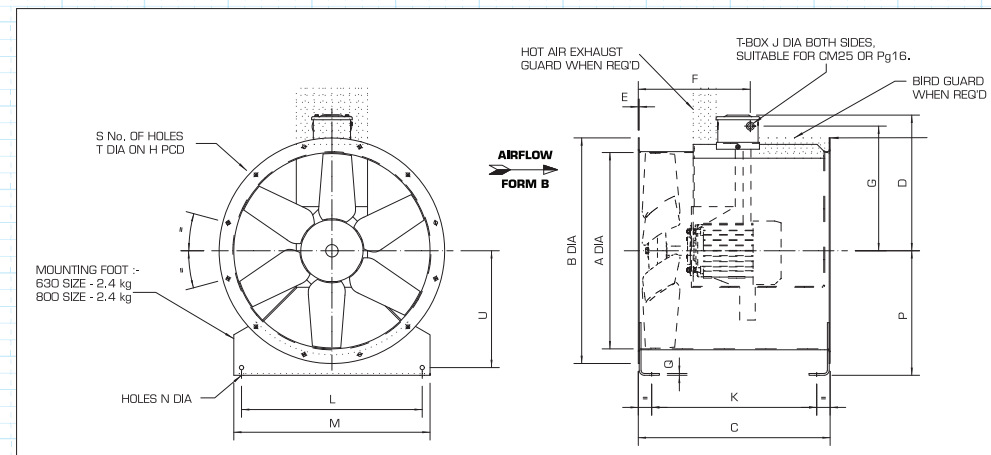
## Dimensions

Product Code	Motor Range	A	B	C	D	E	F	G	H	J	K	L	M	N	P	Q	S	T	Max. Fan Weight (kg)
40JM.Bif/20/4/6/40	LS90S	400	524	727	367	3	375	332	450	27	641	350	400	10	250	3	8	12	72
40JM.Bif/20/2/6/32	LS90L	400	524	772	367	3	enq	322	450	27	686	350	400	10	250	3	8	12	83
50JM.Bif/20/4/6/32	LS90S	500	610	787	408	3	375	371	560	27	691	450	500	10	315	3	12	12	83
50JM.Bif/20/4/6/32	LS90M	500	610	787	408	3	430	371	560	27	691	450	500	10	315	3	12	12	93
63JM.Bif/20/4/6/30	LS100L	630	724	616	436	3	400	400	690	27	530	580	630	10	400	3	12	12	112
80JM.Bif/20/4/6/22	LS112M	800	894	660	520	3	468	484	860	27	544	750	800	10	510	5	16	12	153
100JM.Bif/25/4/9/14	132	1000	1138	800	650	5	492	608	1070	27	720	950	1000	12	574	6	16	15	280

## 40JM.Bif - 50JM.Bif



## 63JM.Bif - 100JM.Bif



## Inverter

Type	Product Number	A	B	C	Weight (kg)
FWX1	430412	420	242	195	14.2
FWX2	430413	420	242	195	14.2
FWX4	430415	420	242	195	14.2
FWX6	430417	420	242	195	14.2

## Mounting Feet

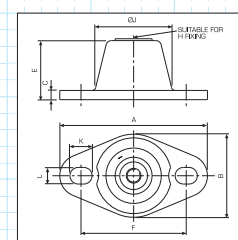
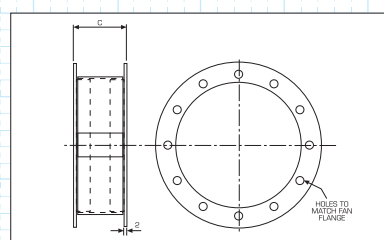
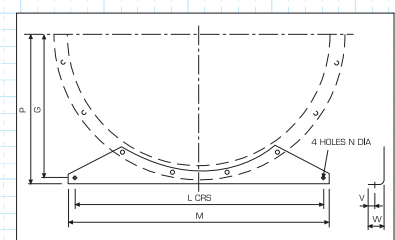
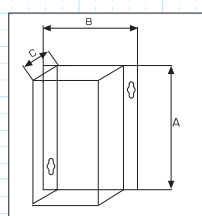
Product Code	Product Number	G	L	M	N	P	T	V	W
400	DA408201	225	350	400	10	250	12	20	60
500	DA408203	290	450	500	10	315	12	25	65
630	DA243495	375	580	630	10	400	14	25	65
800	DA249468	485	750	800	12	510	14	25	80
1000	DA249255	547	50	1000	12	574	15	25	60

## Matching Flanges & Flexible Connector

Suitable for fan OA	Product Numbers		C	Weight (kg)	
	Matching Flange	Flexible Connector		Matching Flange	Flexible Connection
400	DA074913	ASD40400	110	1.5	4.5
500	DA074914	ASD40500	110	2	5.5
630	DA074915	ASD40630	160	3	7.5
800	74917	414846	160	3.6	9.1
1000	74918	414848	160	4.6	11.6

## Rubber in Shear Vibration Isolators

Type	Max Load range per mounting (kg)	Product Number	A	B	C	E	F	H	J	K	L
19.100.yellow	28	DA267336	80	45	5	32	57	M8	41	12	9
19.100.Blue	50	DA267337	80	45	5	32	57	M8	41	12	9
19.101.yellow	110	DA267344	95	60	5	45	71	M10	56	14	9



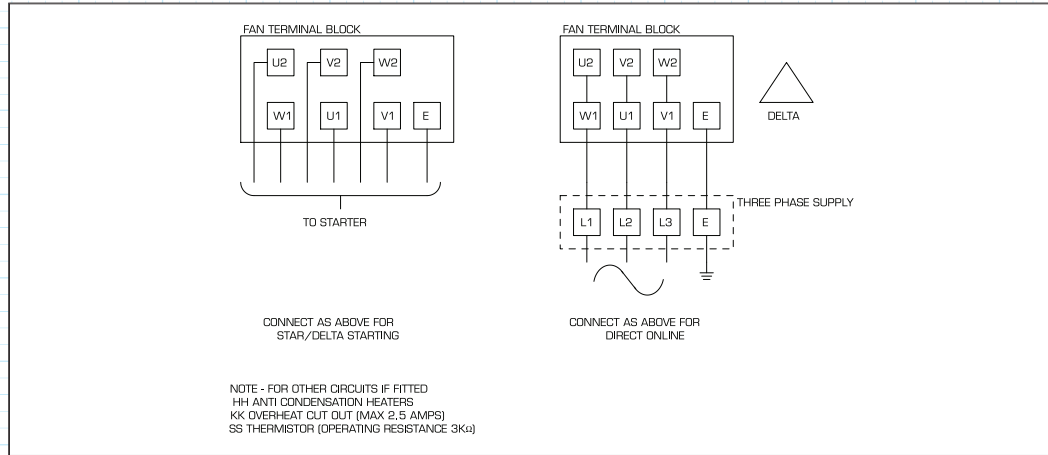
**Note:** Flexible Connection weight includes two Matching Flanges. Suitable for up to 600°C emergency operation for 2 hours and 200°C continuous.

All dimensions shown in mm.

# Wiring Diagrams

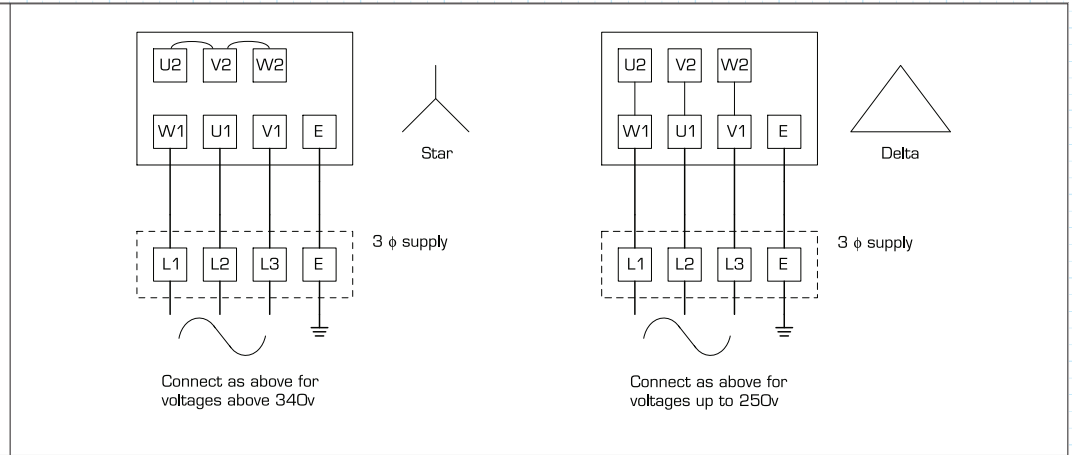
## CD1343

### Fan



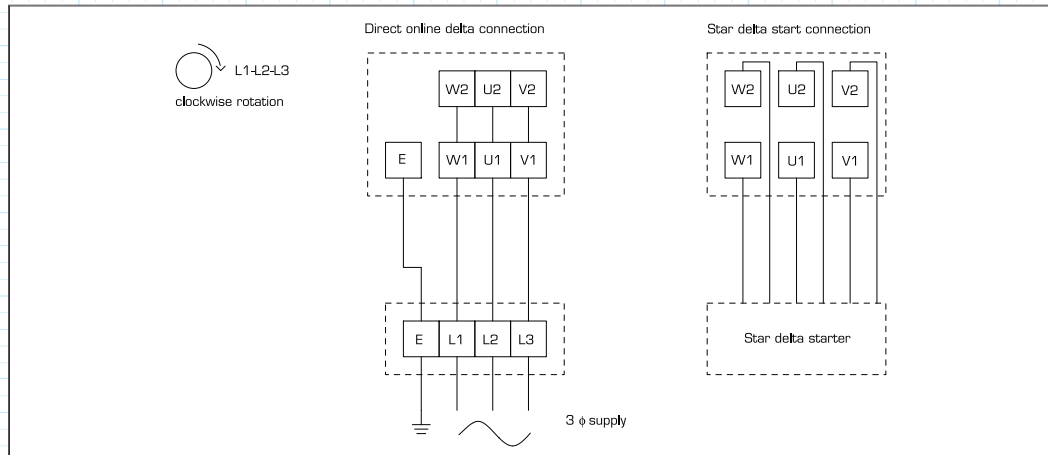
## CD1344

### Fan



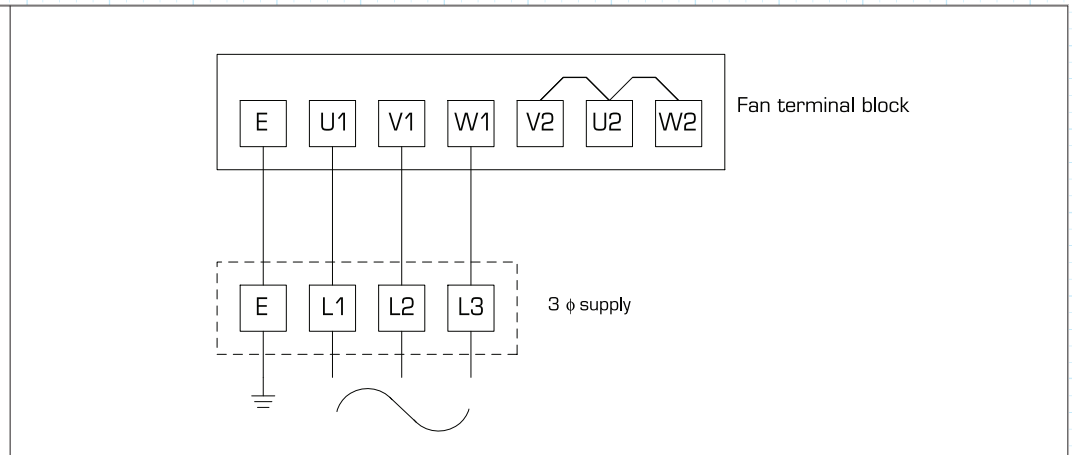
## CD2385

### Fan



## CD2416

### Fan



# JM Bifurcated Cased Fans