

- 152mm - 305mm diameter
- Volume flow up to 0.95m<sup>3</sup>/s
- Static pressures up to 380 Pa
- Suitable for temperatures up to 200°C

- Motor protection IP55
- Series 33 is cost effective solution to Bifurcated applications

## **Series 33 - Bifurcated Cased Fans**

### **Sizes**

15JM.Bif -152mm, 25JM.Bif - 254mm, 30JM.Bif - 305mm.

### **Fan Performance**

Ideally suited for exhausting or recirculating fumes, gases and hot air up to temperatures of 200°C.

Motor must have access to ambient air. All fans have non overloading characteristics.

### **Impellers**

Cast in aluminium silicon alloy and has a fixed pitch aerofoil section blade. This ensures strength, reliability and performance at high temperature.

### **Motors**

All motors are totally enclosed fan cooled, class F insulation with motor protection to IP55. All motors are supplied with sealed for life bearings.

### **Electrical Supply**

220 - 240V / 50Hz / 1 φ

380 - 420V / 50Hz / 3 φ

### **Temperature Range**

Up to 200°C. For higher temperatures please enquire.

### **Casings**

All casings are hot dip galvanised for long life and a high resistance to corrosion.

A seal is provided on the motor shaft.

### **Accessories**

Silencers, Mounting feet/plates, Vibration isolators, Matching flanges, High temperature flexible connectors.

For a full range please see pages 58-59.



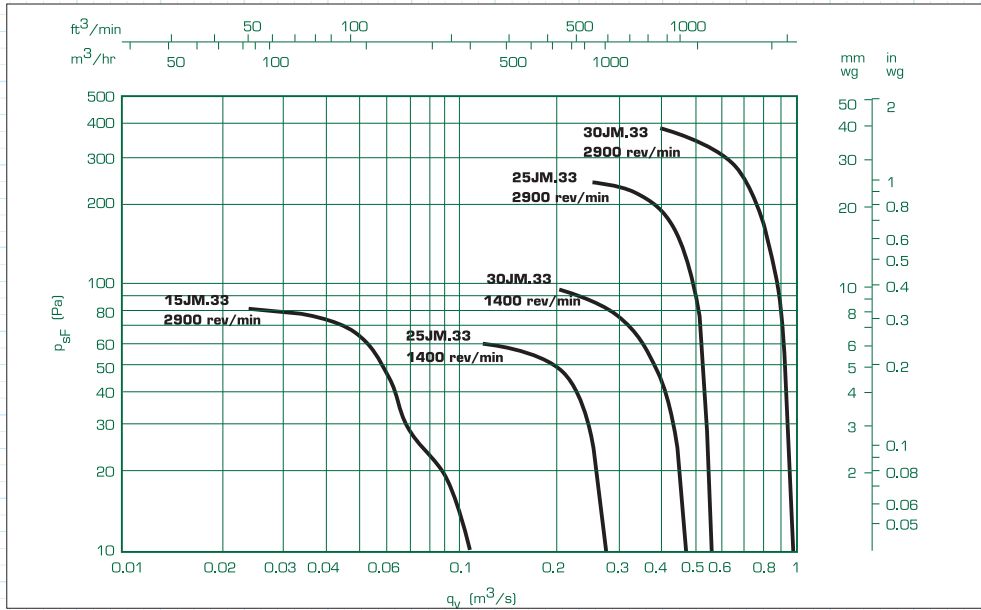
### **Application Guide**



# Series 33 - Bifurcated Cased Fans

Super  
**XPRESS**  
Range

## Performance Data



Sound pressure levels quoted are average dBA at 3m distance over a sphere, under free field conditions and are presented for comparative purposes only.

If the temperature of air flow within a bifurcated fan system is above ambient, FWL recommend that the fan is allowed to overrun so that any excessive heat is removed from the system. Failure to do this could mean that excessive heat can transfer via the shaft/casing to the motor tunnel that can cause degradation of the grease & lead to premature failure.

**Bold text denotes Super Express Product, next day delivery available if ordered by 4pm.**

## Electrical Data

Product Code	Speed rev/min	Motor	220-240V/50Hz/1 $\phi$					Sound Level dBA	m <sup>3</sup> /s at Pa (Static)			
			Product Number	Motor Rating (kW)	Full Load Current (at 230V) (A)	Starting Current (at 230V) (A)	Wiring Diagram Ref		0	25	50	75
<b>15JM.Bif.33</b>	<b>2900</b>	<b>D63</b>	<b>DB125603</b>	<b>0.18</b>	<b>1.4</b>	<b>4.2</b>	CD2426	40	0.11	0.07	0.06	0.04
<b>25JM.Bif.33</b>	<b>1400</b>	<b>D63</b>	<b>DB215607</b>	<b>0.12</b>	<b>1.14</b>	<b>3</b>	CD2426	55	0.29	0.25	0.19	
<b>30JM.Bif.33</b>	<b>1400</b>	<b>D63</b>	<b>DB025607</b>	<b>0.12</b>	<b>1</b>	<b>3</b>	CD2426	46	0.49	0.44	0.38	0.31

Product Code	Speed rev/min	Motor	380-420V/50Hz/3 $\phi$					Speed Controller	Sound Level dBA	m <sup>3</sup> /s at Pa (Static)								
			Product Number	Motor Rating (kW)	Full Load Current (at 400V) (A)	Starting Current (at 400V) (A)	Wiring Diagram Ref			Inverter	0	25	50	75	100	150	200	250
<b>25JM.Bif.33</b>	<b>1400</b>	<b>D63</b>	<b>DB215608</b>	<b>0.18</b>	<b>0.57</b>	<b>2.28</b>	CD1344	FWX1	40	0.29	0.25	0.19						
<b>25JM.Bif.33</b>	<b>2900</b>	<b>D71</b>	<b>DB215609</b>	<b>0.37</b>	<b>0.9</b>	<b>4.95</b>	CD1344	FWX1	55	0.57	0.54	0.52	0.51	0.49	0.46	0.38		
<b>30JM.Bif.33</b>	<b>1400</b>	<b>D63</b>	<b>DB025608</b>	<b>0.18</b>	<b>0.57</b>	<b>2.28</b>	CD1344	FWX1	46	0.49	0.44	0.38	0.31					
<b>30JM.Bif.33</b>	<b>2900</b>	<b>D71</b>	<b>DB025609</b>	<b>0.37</b>	<b>0.9</b>	<b>4.95</b>	CD1344	FWX1	63	0.98	0.96	0.93	0.91	0.88	0.83	0.77	0.7	0.44

Wiring diagrams can be found on page 41

The fan noise levels shown are for the specified operating point. When an electronic controller is incorporated, a magnetic noise (enhanced motor noise) can occur - particularly if the fan is operating at speeds well below maximum. For noise sensitive applications FWL recommend using an auto transformer speed controller. Fans are supplied at catalogue stated angle. Should you wish for the pitch angle to be adjusted, we would be happy to offer a quotation.

Telephone:  
01206 222 555

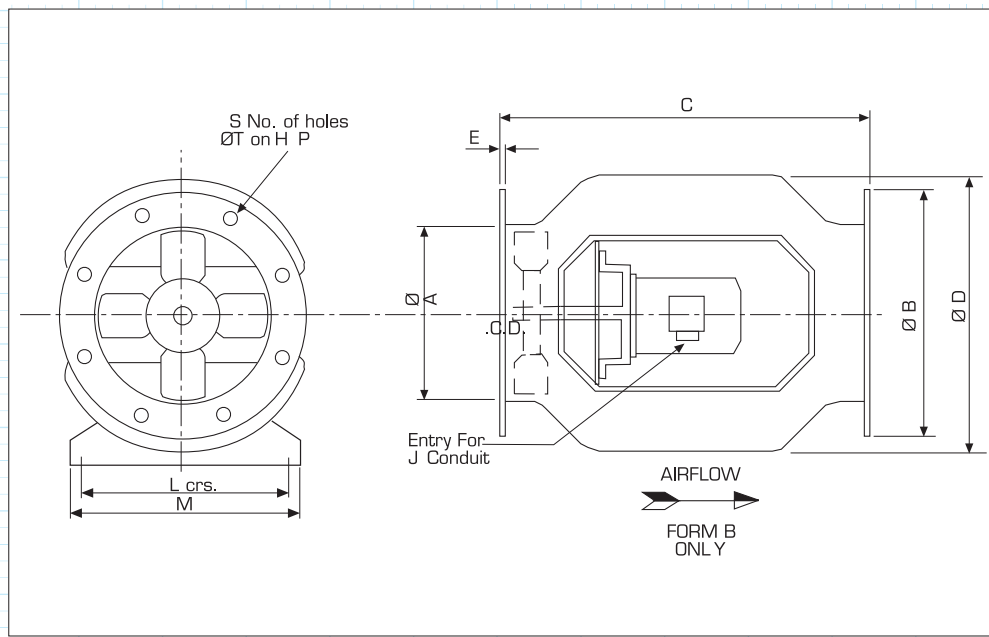
Fax:  
01206 222 905

Email:  
fans.uk@flaktwoods.com

Express Website:  
www.flaktwoods.com/express

Fan Selector:  
www.flaktwoods.com/fanselector

Drawing & Dimensions



# Series 33 - Bifurcated Cased Fans

Mounting Feet

15JM.33 - DA016504  
25JM.33 - DA404431  
30JM.33 - DA049381  
For dimensions see L and M below.

Product Code	Motor Range	A	B	C	D	E	H	J	L	M	S	T	Weight (kg)
15JM.33	D63	152	208	610	257	1.2	184	CM20	-	-	4	8	15
25JM.33	D63	254	324	489	400	1.6	299	CM20	222	254	8	10	21
25JM.33	D71	254	324	489	400	1.6	299	CM20	222	254	8	10	24
30JM.33	D63	305	375	584	470	1.6	349	CM20	273	305	8	10	26
30JM.33	D71	305	375	584	470	1.6	349	CM20	273	305	8	10	28

Inverter

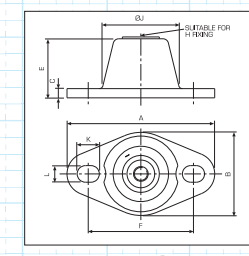
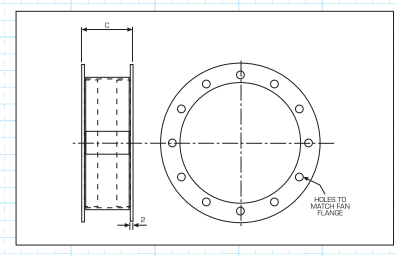
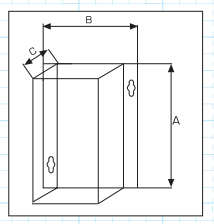
Type	Product Number	A	B	C	Weight (kg)
FWX1	430412	420	242	195	14.2

Matching Flanges & Flexible Connector

Suitable for fan OA	Product Numbers		C	Weight (kg)	
	Matching Flange	Flexible Connector		Matching Flange	Flexible Connector
15JM.33	DA406836	DA414829	25	0.2	0.05
25JM.33	DA404432	DA414832	32	0.6	0.10
30JM.33	DA406837	DA414833	25	0.7	0.12

Rubber in Shear Vibration Isolators

Type	Load range per mounting (kg)	Product Number	A	B	C	E	F	H	J	K	L
19.100.yellow	5-28	DA267336	80	45	5	32	57	M8	41	12	9



All dimensions shown in mm.

Note: Flexible Connection weight includes two Matching Flanges.

