

AIRGARD

Volume Control Dampers

PUBLICATION

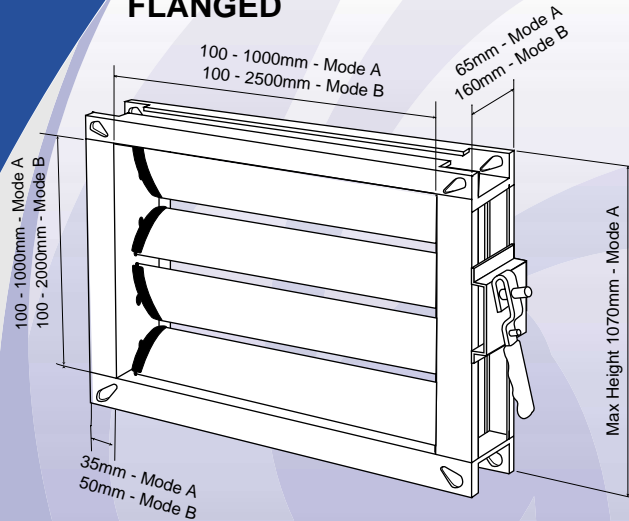
DAMPERS 3

MARCH 2007

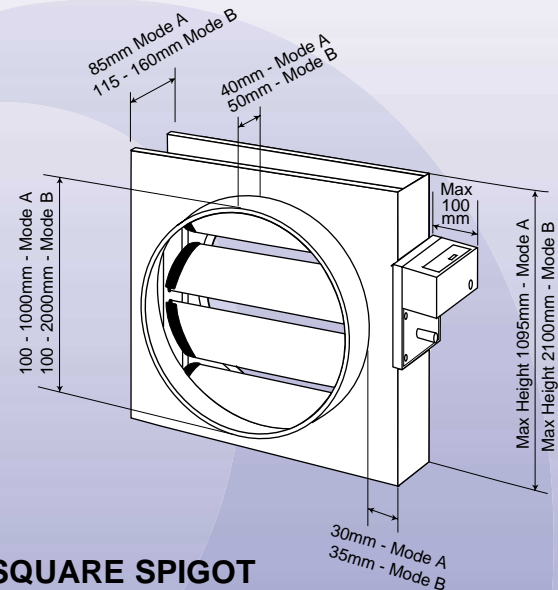
Airgard Mode A & B

Gilberts Airgard Series provides a range of both standard (Mode A) and large format (Mode B) volume control dampers specifically designed to provide positive control within ducted air systems. Available with both spigotted and flanged connections, they are compatible with square, rectangular, circular and flat oval ductwork.

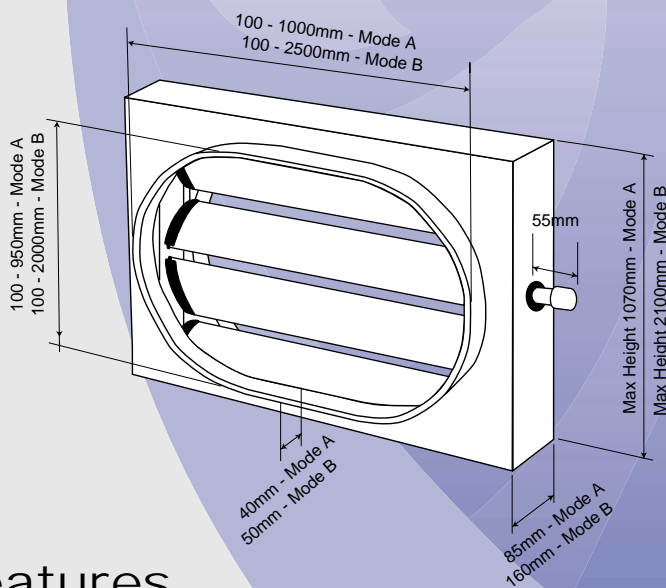
FLANGED



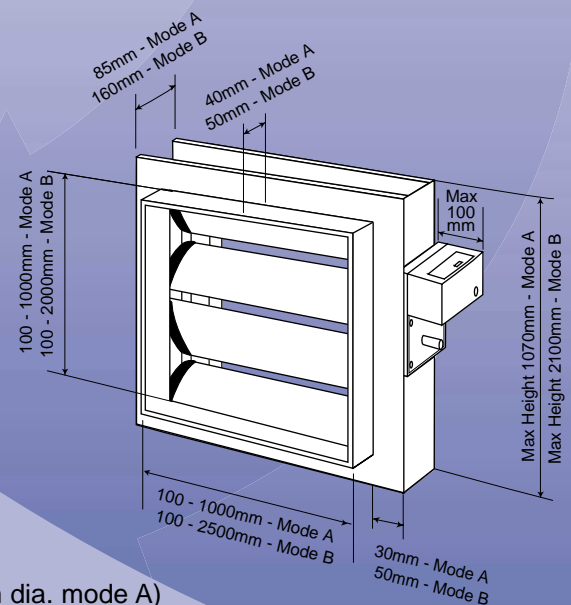
CIRCULAR SPIGOT



FLAT OVAL SPIGOT



SQUARE SPIGOT



Features

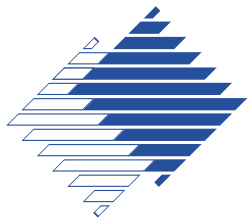
- Aerofoil Blade Section
- 35mm (Mode A) or 50mm (Mode B) Flanges with Tapered Corner Holes to suit most accessories.
- Blade Position Indicator.
- Precision Extruded blade Sections & Galvanised mild steel frame.
- Various Control Modes.

Control Options

- Manual.
- Extended Spindle (55mm x 12.8mm dia. mode A) (100 x 19mm dia. mode B).
- Belimo 24v DC/24v AC, 240v AC Motor Drive available in ON/OFF, Spring Return and Modulating Modes.
- Pneumatic Actuator.



GILBERTS



AIRGARD

Size Range

Spigot ConnectionsRef. S

Units supplied with 40/50 mm square/rectangular spigots
Mode A Size Range: 100 - 1000 wide, 100 - 1000 mm high
Mode B Size Range: 100 - 2500 wide, 100 - 2000 mm high

Flanged ConnectionsRef. F

Units supplied with 35mm (Mode A) or 50mm (Mode B) Flange connections with elongated slots in each corner to suit Ductmate, Mez and Doby profiles.
Mode A Size Range: 100 - 1000 wide, 100 - 1000 mm high
Mode B Size Range: 100 - 2500 wide, 100 - 2000 mm high

Circular spigot ConnectionsRef. C

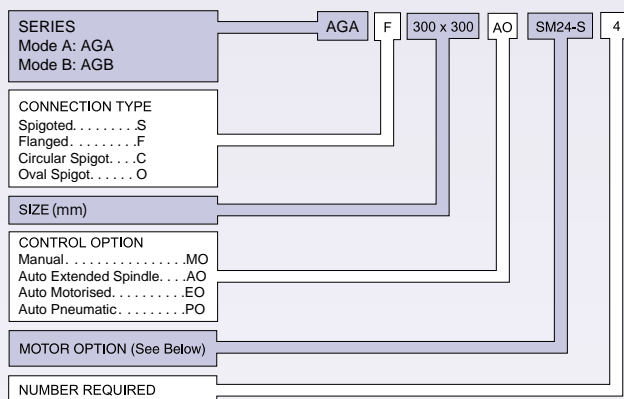
Units supplied with 40/50mm deep flat oval spigot.
Mode A Size Range: 100 - 1000 mm dia
Mode B Size Range: 100 - 2000 mm dia

Flat Oval Spigot ConnectionsRef. O

Units supplied with 40/50mm deep flat oval spigot.
Mode A Size Range: 100 - 1000 wide, 100 - 900 mm high
Mode B Size Range: 200 - 2500 wide, 100 - 2000 mm high

Intermediate Sizes and Multiple Units also available on request

Ordering Specification



Motor Options

Open/Close: 24v AC/DC= SM24A or 240V AC = SM230A
Spring Return: 24v AC/DC = AF24 or 240v AC = AF230
Modulating Spring Return: 24vAC/DC = AF24-SR
Modulating Open/Close:24v AC/DC = SM24A-SR 240v AC SM230 ASR

Engineering Specification

All extruded aluminium frame with extruded aluminium aerofoil blades, all to BS 1470 -1474. Blades operated through patented rack and pinion mechanism. Special spigotted cast gears in zinc based alloy to BS 1004A, run in sealed nylon bearings.

Casing Leakage

Conforms to DW142 Class A and B. Units available to meet Class C on request.

Contact

GILBERTS

Head Office and Works
GILBERTS (BLACKPOOL) LTD
Gilair Works, Clifton Road,
Blackpool.
Lancashire FY4 4QT.
Telephone: (01253) 766911
Fax: (01253) 767941
e-mail: sales@gilbertsblackpool.com
Web: www.gilbertsblackpool.com

