

SERIES NV

Vision Proof Transfer Grilles

PUBLICATION

GRILLES 7

FEB 2008



Features

- Chevron Blade Vision Proof Core.
- Door, Wall or Partition Mounting.
- Six Different Style Options.
- Light Proof Darkroom Facility.
- Extruded Aluminium Construction.



GILBERTS



SERIES NV

Introduction

Gilberts NV Series provides a comprehensive and traditional range of vision proof grilles to suit all manner and type of air transfer application through doors, walls and partitions. The aluminium 'V' shape chevron blade mounted on a close 8mm pitch renders see through vision impossible and when double banked in a matt

black finish, even offers a light proof assembly. With 6 different styles available the NV Series offers a wide variety of selection and installation options ranging from NV1 beaded into the door to NV6 surface mounting.

- Type NV1** Vision proof core only. Designed for beading into door.
- Type NV2** Vision proof core in 32mm flanged border. Designed for wall or partition mounting.
- Type NV3** Vision proof core in 32mm flanged border with matching telescopic back flange. Designed for door mounting.
- Type NV4** Set of two lightproof core grilles with 32mm flange borders. Designed for door transfer in dark room/light proof applications. (Matt black finish).
- Type NV6** Vision proof flanged grille suitable for surface mounting onto doors, wall or partitions. Especially useful for narrow doors or fireblock installations.

Features

- Chevron Blade Vision Proof Core.
- Door Wall or Partition Mounting.
- Five Different Style Options.
- Light Proof/Darkroom Facility.
- Extruded Aluminium Construction.



All units are finished as standard either in Satin Silver (NV1, NV2, NV3, NV6) OR Matt Black (NV4) and are typically flange screw fixed.

Special colours and finishes are also available on request.

All NV units can be sized and selected from the nomogram.

Pressure: All pressures are in Pa (N/m²)
 Sound: Measured in average dBA Level

For transfer applications a recommended maximum velocity is 1.5m/sec. Referring to the nomogram sizes up to 1200 x 1200 can be selected as appropriate for the duty.

K-Factor (Free Area) approximately 40%.

Area to be served	Recommended Maximum NC Levels
Sound Broadcasting Recording Studios, TV (Audience Studios)	15 - 20 20 - 25
Lecture Theatres, Cinemas, Concert Halls, Boardroom/Ex Offices Lounge, Conference Room, Court Room, Churches, Private Bedrooms	25 - 30
Operating Theatres, Hospital Wards, Staff Room, Class Rooms, Ballroom, Banquet Room, Library, Bank, Museum, Offices	30 - 40
Restaurants, Department Stores, Computer Suite, Washroom Toilet	35 - 40
Laundries, Kitchens, Swimming Pools, Sports Arena	40 - 45
Garage, Light Engineering Workshop	45 - 50
Heavy Engineering Workshop	50 - 65

Performance Data

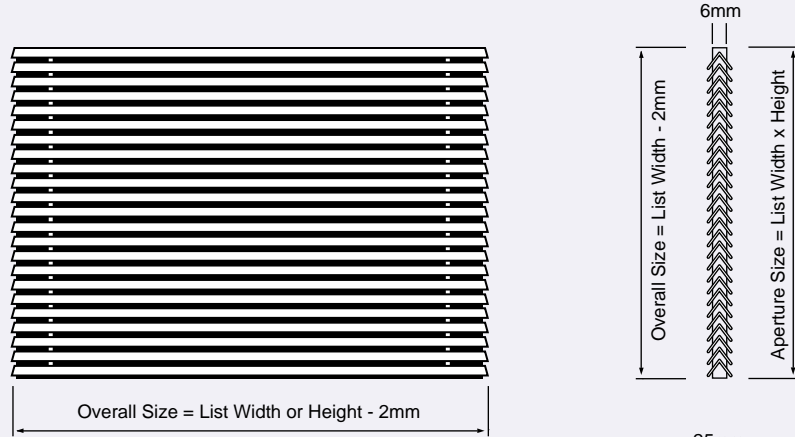
References Used

Selection Procedure

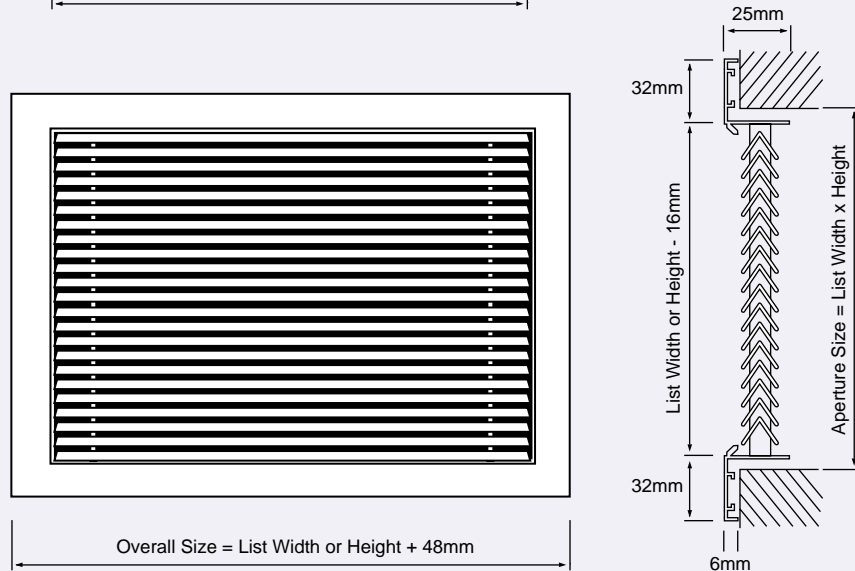


SERIES NV

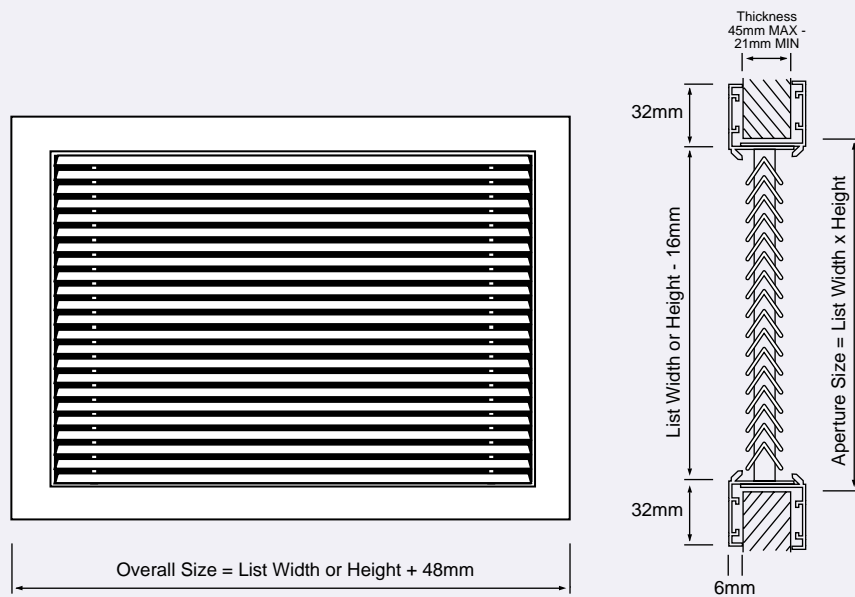
Type NV1



Type NV2



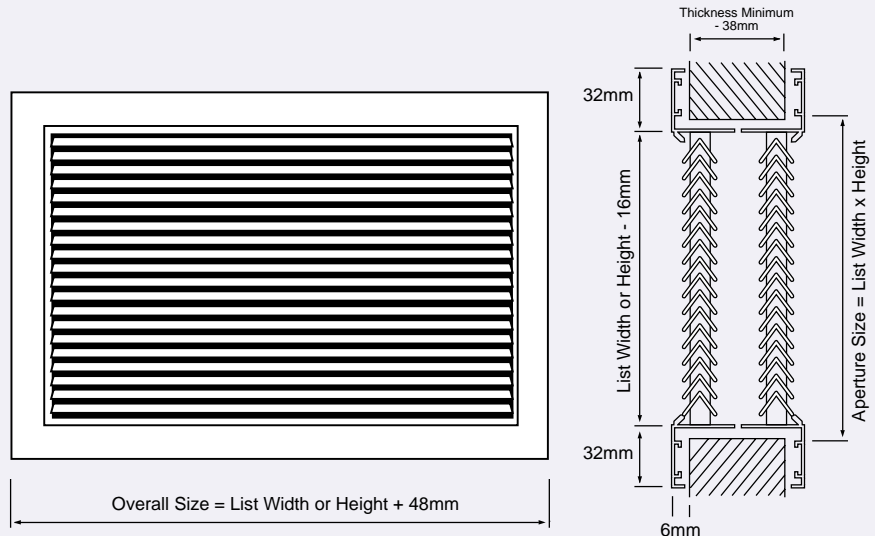
Type NV3



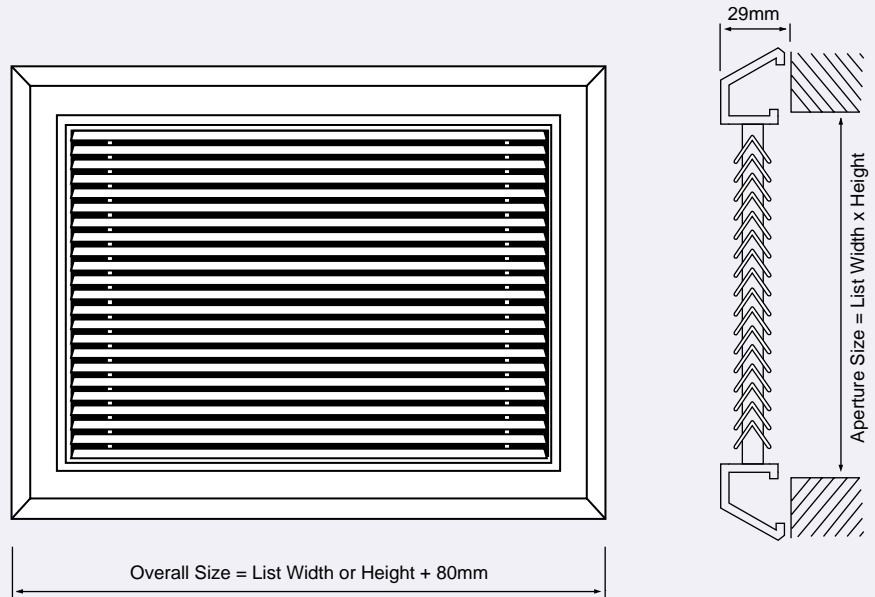


SERIES NV

Type NV4



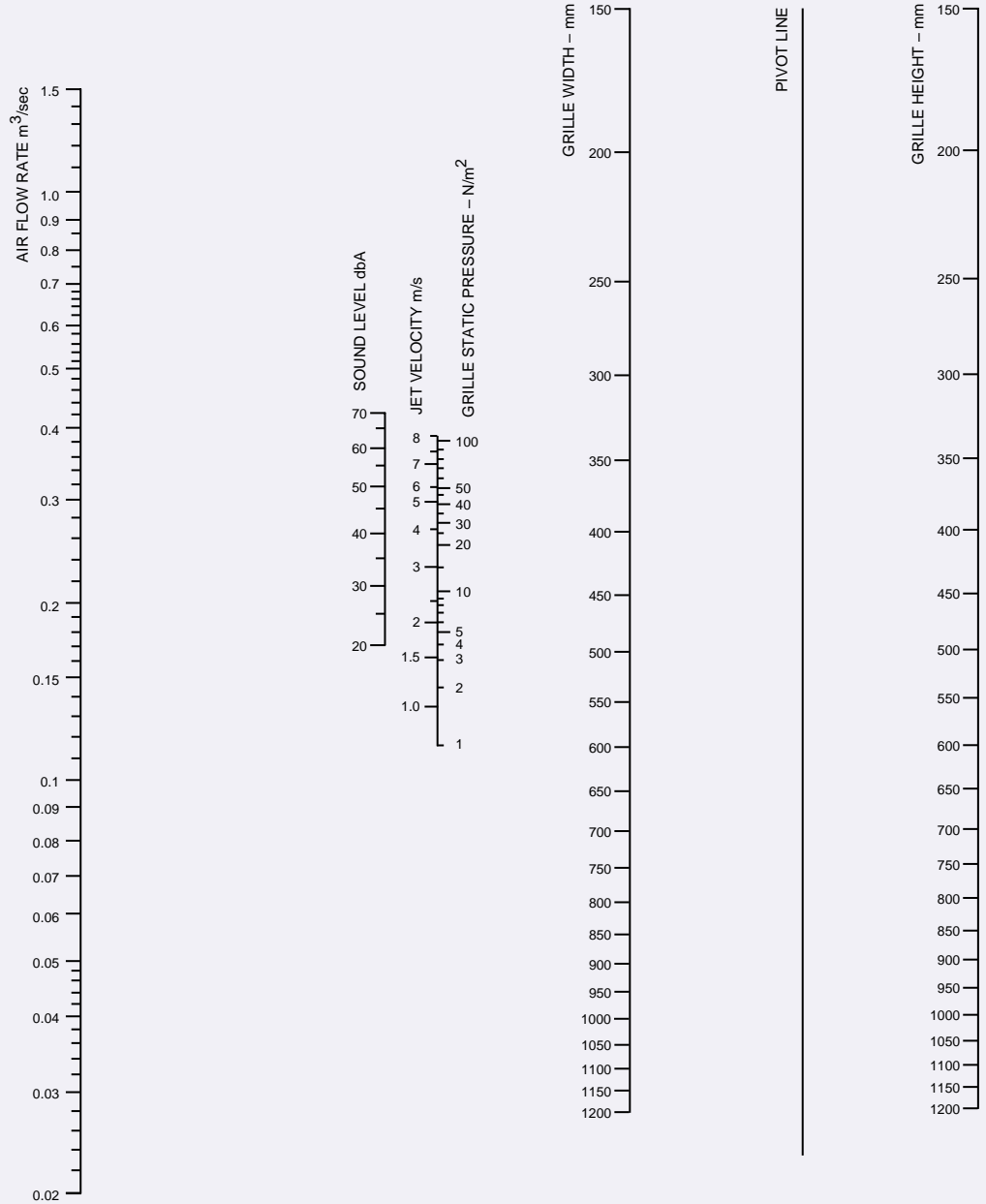
Type NV6





SERIES NV

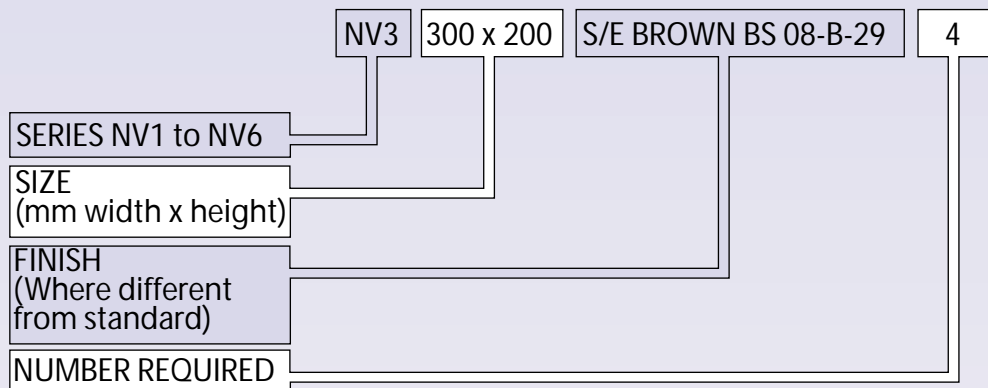
Sizing Nomogram





SERIES NV

Ordering Specification



FIXING

- NV1** Bead into door aperture
- NV2 - NV6** Flange screw fixing using self tapping screws provided

FINISH

Standard Finish:

- Polyester Powder Satin Silver (NV1, 2, 3, 6)
Polyester Powder Matt Black (NV4)

Special Finishes:

- Polyester Powder to stock BS or RAL colour
Stove Enamel to any BS/RAL colour.

SIZE RANGE

From 100 x 100 up to 1200 x 1200 in 1mm increments as standard.
For other sizes please contact Head Office.

Contact

GILBERTS

Head Office and Works
GILBERTS (BLACKPOOL) LTD
Gilair Works, Clifton Road,
Blackpool.
Lancashire FY4 4QT.
Telephone: (01253) 766911
Fax: (01253) 767941
e-mail: sales@gilbertsblackpool.com
Web: www.gilbertsblackpool.com

