

SERIES FB700

Air Transfer Grille

PUBLICATION

GRILLES 9

MAY 2003

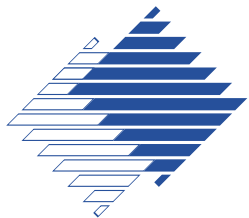


Features

- Door or Wall Mounted.
- Standard or Fireblock
Air Transfer Application .
- Quality 20swg Mild Steel
Construction.
- Wide 33mm Flange Border.
- Attractive Slimline Appearance.
- Economic Stock Availability.



GILBERTS



SERIES FB

Introduction

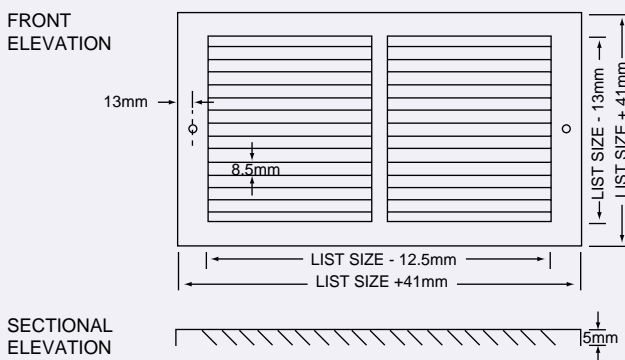
Gilberts FB700 Series presents a range of Mild Steel Louvred Grilles designed to satisfy all types of air transfer application in offices, shops, schools, hospitals and many other commercial projects. Manufactured using modern press machinery and production techniques the FB700 is robustly fabricated from 20swg mild steel and comprises of horizontal louvres set on an 8.5 mm pitch with a 30° downward deflection.

Suitable for surface mounting in both door and wall mounting applications, the steel construction ensures that the unit is

satisfactory not only for standard air transfer applications but also for fire rated applications where intumescent type fire dampers are utilised with the wide flange border providing adequate clearance for fixing to the surrounding structure.

Slimline and unobtrusive the unit offers a free area around 66% for economical selection and is readily available in a wide variety of normal and reverse list sizes. Standard finish is a PPC Satin Silver with other colours and finishes available on request.

Dimensional Data



LIST SIZE RANGE mm Width or Height						
102 x 102	610 x 102	610 x 152	254 x 254	406 x 305	406 x 406	610 x 610
152 x 102	152 x 152	203 x 203	305 x 254	457 x 305	457 x 406	762 x 102
203 x 102	203 x 152	254 x 203	356 x 254	508 x 305	508 x 406	762 x 152
254 x 102	254 x 152	305 x 203	406 x 254	610 x 305	610 x 406	762 x 203
305 x 102	305 x 152	356 x 203	457 x 254	356 x 356	457 x 457	914 x 102
356 x 102	356 x 152	406 x 203	508 x 254	406 x 356	508 x 457	914 x 152
406 x 102	406 x 152	457 x 203	610 x 254	457 x 356	610 x 457	914 x 203
457 x 102	457 x 152	508 x 203	305 x 305	508 x 356	508 x 508	
508 x 102	508 x 152	610 x 203	356 x 305	610 x 356	610 x 508	

Ordering Specification

SERIES: FB700	FB700	305 x 305	PPC SATIN SILVER (Standard Finish)	15
SIZE (mm - Width x Height)				
FINISH (Please Specify)				
NUMBER REQUIRED				

FIXING

Flange screw fixing using self tapping screws provided.

FINISH

Standard finish: PPC Satin Silver
Special finishes: Polyester Powder finish to Stock BS/RAL colour.

Contact

GILBERTS

Head Office and Works
GILBERTS (BLACKPOOL) LTD
 Gilair Works, Clifton Road,
 Blackpool.
 Lancashire FY4 4QT.
 Telephone: (01253) 766911
 Fax: (01253) 767941
 e-mail: sales@gilbertsblackpool.com
 Web: www.gilbertsblackpool.com

