

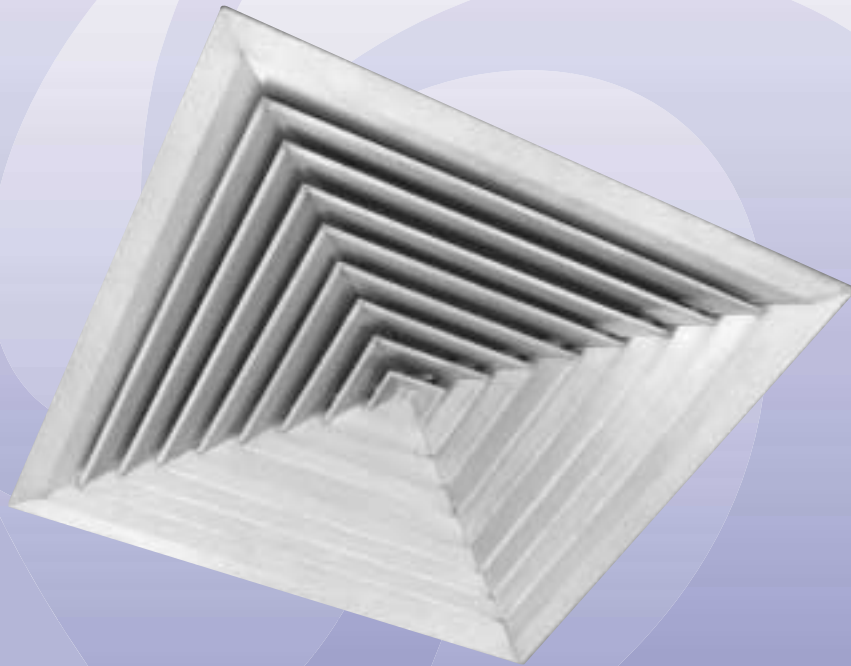
# SERIES SS

Air Steel

PUBLICATION

GRILLES 16

JULY 2005

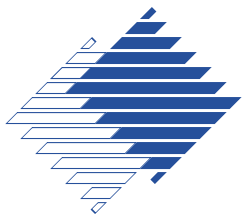


## Features

- Wide Selection of Designs and Styles
- Flexible Size Range
- Natural or Brushed Stainless Steel Finish
- Stainless Steel Damper Control
- Robust construction



# GILBERTS



# SERIES SS

## Introduction

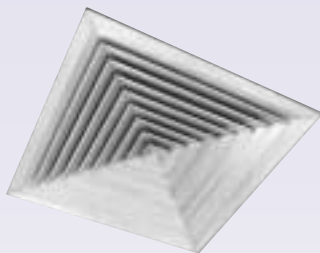
Gilberts Series SS 'Airsteel'. With this new Series Gilberts provide a comprehensive range of stainless steel grilles and diffusers designed to suit the most demanding of projects. These stainless steel units are not only robust, making them suitable for industrial or other heavy applications but they are also very resistant to corrosion making them well suited for offshore or marine applications, swimming pools or any other hazardous area. Available in a natural stainless steel finish, with brushed

faces as an optional extra, the units are suitable for both industrial and heavy commercial applications. Care should be taken for light commercial applications (such as offices, shops etc) where plain and brushed stainless steel finishes may not be suitable.

All units are available complete with optional screwdriver operated stainless steel opposed blade volume control dampers. Specialised plenum boxes can also be made to complement all of the different types.

### Features

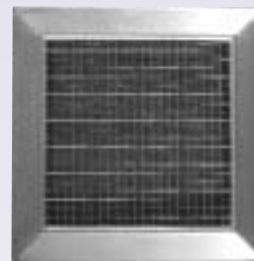
- Wide Selection of Designs and Styles
- Flexible Size Range
- Natural or Brushed Stainless Steel Finish
- Stainless Steel Damper Control
- Robust construction



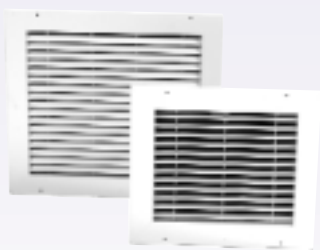
Series SS-DG  
Louvred Face Diffuser



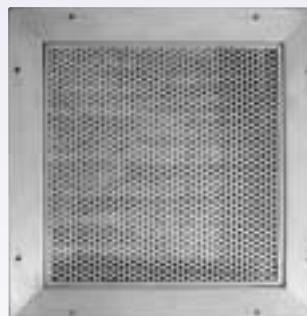
Series SS-G  
Single & Double Deflection Grilles



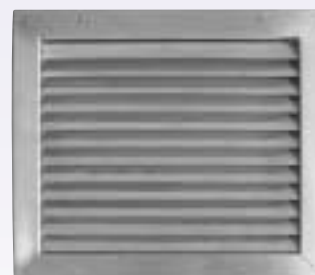
Series SS-GE  
Eggcrate Grilles



Series SS-SK  
Fixed Blade Grilles



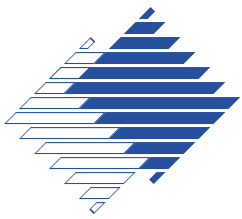
Series SS-PE  
Perforated Face Grilles



Series SS-NV  
Vision Proof Transfer Grilles

## Selection Procedure

All units can be sized and selected from the sizing charts and nomograms published in the datasheets for their matching aluminium counter parts.



# SERIES SS-DG

## Introduction

Gilberts SS-DG Series of stainless steel Louvred Face Diffusers offer a distinct new evolution on a popular design theme. Combining up-to-date styling and design technology to blend with modern architecture the steel SS-DG Series provides an unrivalled blend of strength, performance and aesthetics. All units are 4 way pattern and available in a wide

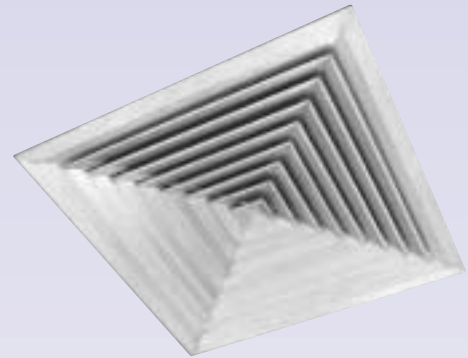
range of square sizes ranging from 150 x 150 neck size up to 600 x 600 in 75mm increments. All Gilberts SS-DG units also benefit from a robust spring loaded removable core assembly which allows easy access to dampers for initial balancing or cleaning and safety cords to firmly secure the core to the diffuser frame.

### Standard Series:

**Type SS-DGA :** Louvred Face Diffuser with Standard border suitable for both suspended and plaster ceiling applications.

### Features

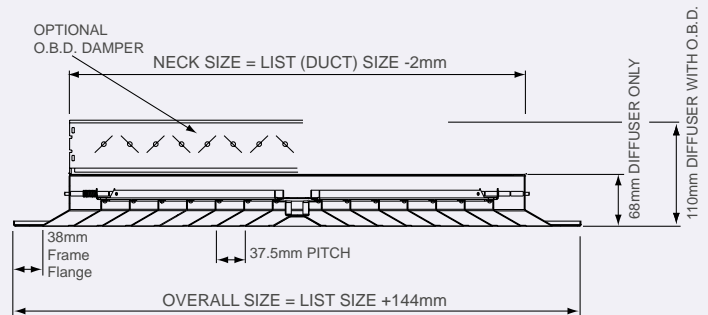
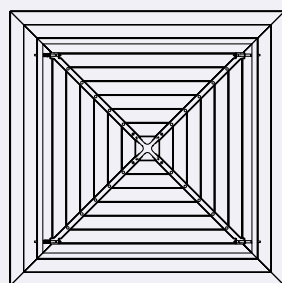
- Attractive Louvred Face Design
- Spring Loaded Removable Core
- Stainless Steel Diffuser Construction
- Stainless Steel Opposed Blade Damper



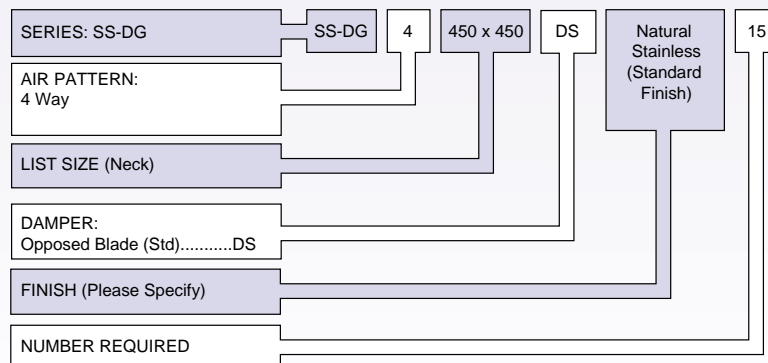
For volume control the standard screwdriver operated opposed blade damper is available in stainless steel attached directly to the diffuser.

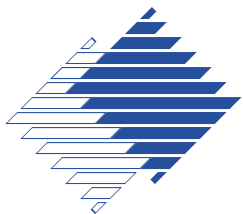
Standard finish for all SS-DG Series is a natural stainless finish. A brushed stainless steel finish on the frame is available as an optional extra.

## Dimensional Data



## Ordering Specification





# SERIES SS-G

## Introduction

Gilberts SS-G Series provides an established and comprehensive range of heavy duty stainless steel single and double adjustable deflection grilles for all types of ceiling and sidewall supply application. Comprising of robust 6mm wide individually adjustable aerofoil blades set on 25mm centers the SS-G Series was

designed, and is especially suitable, for both standard and heavy duty industrial type applications such as manufacturing facilities, warehouses and offshore applications. Blades are firmly located into a 50mm flange border frame allowing for simple and positive manual blade adjustment and positioning.

## Series Options

**Type SS-GH:** Single Deflection Grille with one set of horizontal blades.

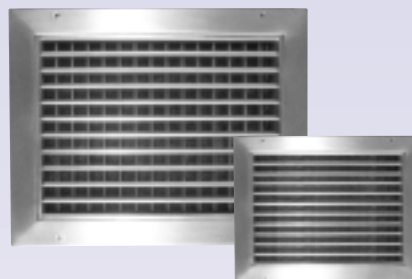
**Type SS-GV:** Single Deflection Grille with one set of vertical blades.

**Type SS-GHV:** Double Deflection Grille with horizontal front and vertical rear blades.

**Type SS-GVH:** Double Deflection Grille with vertical front and horizontal rear blades.

## Features

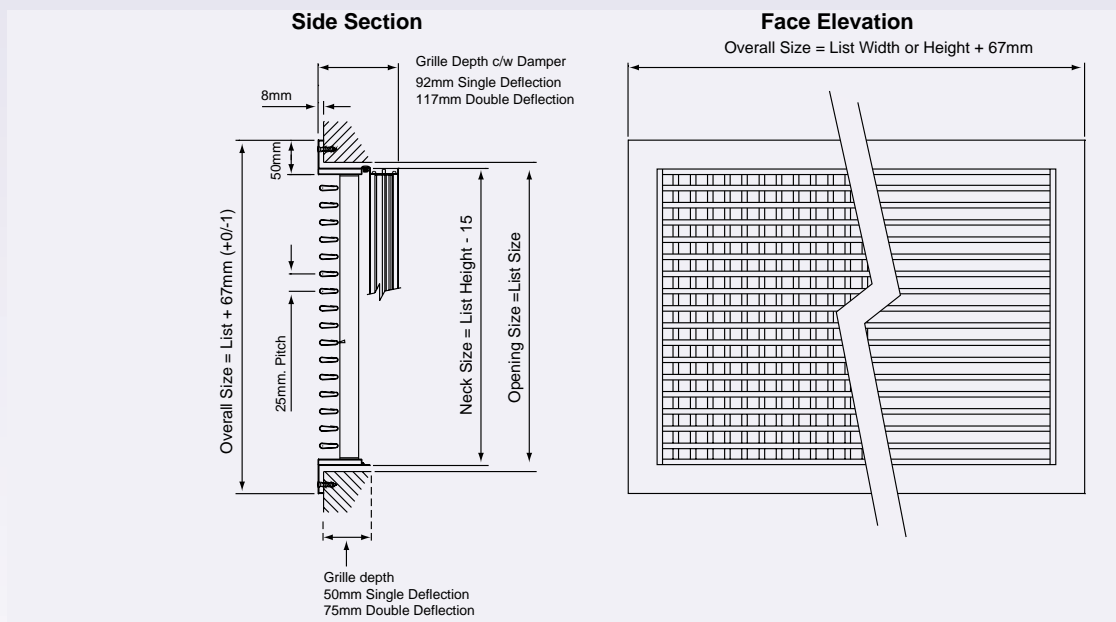
- Single or Double Deflection
- Individually Adjustable Blades
- 6mm Aerofoil Section Blade Profile
- All Stainless Steel Construction



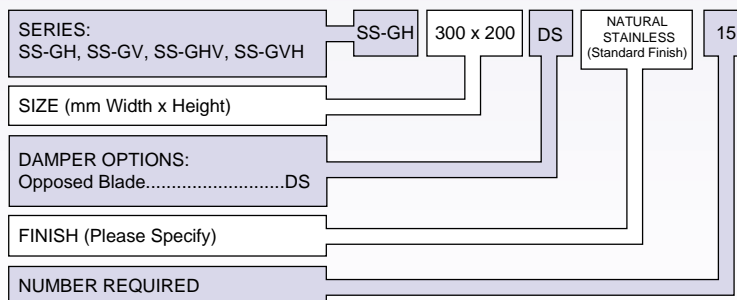
All units are available complete with matching stainless steel, screwdriver operated, opposed blade volume control damper mounted at rear. Standard fixing is screw fix through

the flange. Standard finish for all SS-G Series is a natural stainless finish. A brushed stainless steel finish on the frame is available as an optional extra.

## Dimensional Data

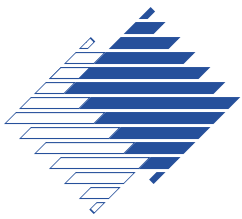


## Ordering Specification



### Size Range

Available sizes range from 100 x 100 up to 1200 x 600 in 25mm increments. For other sizes please contact head office



# SERIES SS-GE

## Introduction

Gilberts SS-GE Series provides a comprehensive range of stainless steel Eggcrate type grilles to suit all types of extract application in both ceiling and walls.

Attractively styled with both a 13mm or 25mm square

Eggcrate core option the SS-GE is available in a 50mm flange border frame suitable for all general purpose sidewall and ceiling installations

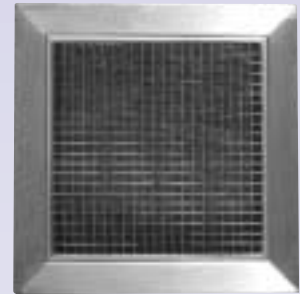
## Series Options:

**TYPE SS-GECA** - 13mm square Eggcrate grille in 50mm flange frame.

**TYPE SS-GECA/1** - 25mm square Eggcrate grille in 50mm flange frame.

## Features

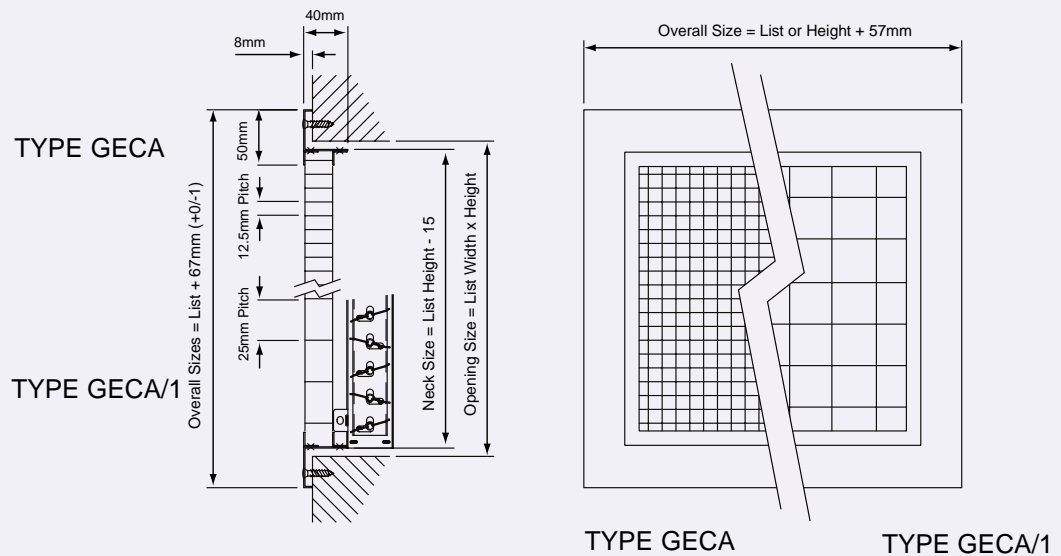
- 13mm or 25mm Eggcrate Core
- Flange 50mm Frame Border
- Wide Flexible Size Range
- Stainless Steel Construction



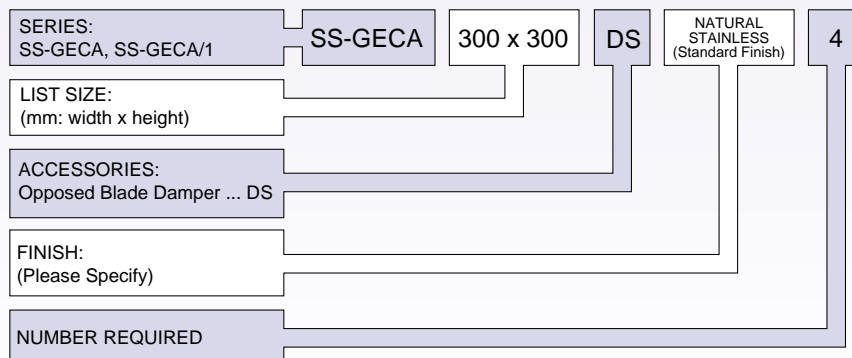
All units are available complete with matching stainless steel, screw driver operated, opposed blade volume control damper mounted at rear.

Standard finish for all SS-GE Series is a natural stainless steel finish. A brushed stainless steel finish on the frame is available as an optional extra.

## Dimensional Data

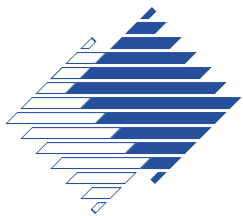


## Ordering Specification



## Size Range

Available sizes range from 100 x 100 up to 1200 x 600 in 25mm increments. For other sizes please contact head office



# SERIES SS-SK

## Introduction

Gilberts SS-SK Series provides a practical range of Heavy Duty stainless steel fixed blade grilles suitable for many more robust application requirements such as car parks, factory premises, stairwells, outbuildings etc. Designed for supply or extract application all units comprise of a sturdy 3mm steel formed blade angled at 0° for supply or 15 and

40° for extract according to preference and set on a 19mm pitch. All blades are welded into castellated vertical supports which in turn are welded into the 50mm Flange border frame which provides an exceptionally strong grille structure.

### Series Options:

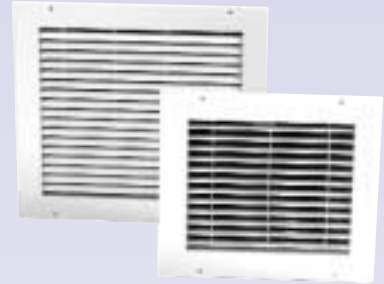
**Series SS-SK 0** :Heavy duty fixed blade grille with straight 0° Blades

**Series SS-SK 15** :Heavy duty fixed blade grille with 15° Blades

**Series SS-SK 40** :Heavy duty fixed blade grille with 40° Blades

### Features

- Heavy Duty All Welded Construction
- Finline 3mm Fixed Blade Construction
- 0, 15 or 40 Fixed Blade Angle
- Stainless Steel construction
- Steel Opposed Blade Damper Option



All units are available complete with matching stainless steel, screwdriver operated, opposed blade volume control damper mounted at the rear.

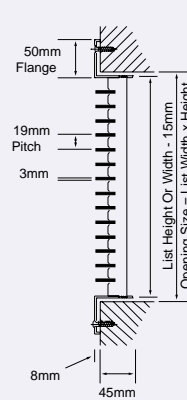
Standard finish for SS-SK series is a natural stainless finish. A brushed stainless steel finish is available as an optional extra.

## Dimensional Data

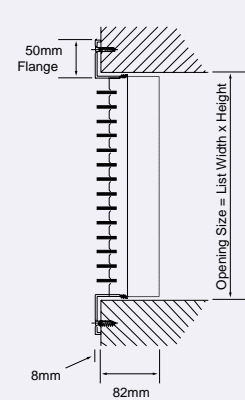
SS-SK



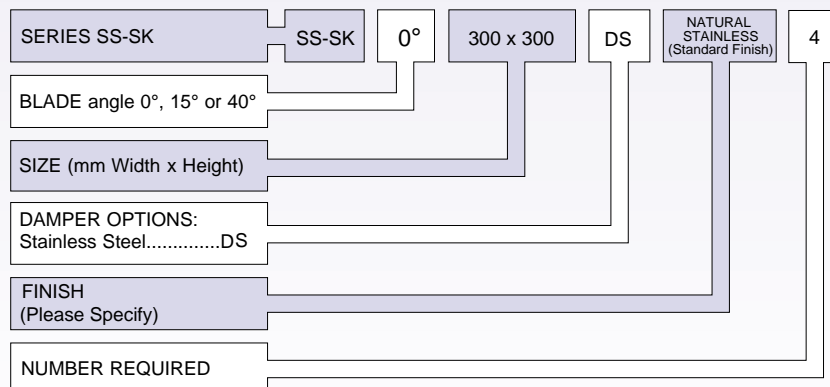
GRILLE



GRILLE C/W DAMPER

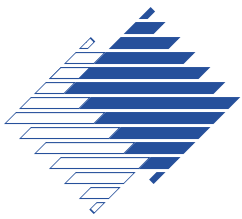


## Ordering Specification



### Size Range

Available sizes range from 100 x 100 up to 1200 x 600 in 25mm increments. For other sizes please contact head office



# SERIES SS-PE

## Introduction

Gilberts Series SS-PE provides a comprehensive and established range of Perforated Face Type Grilles to suit all types of extract application in ceilings and sidewalls.

Attractively styled the unit comprises of a perforated, 50% free area, steel fascia fixed in a robust 50mm flange border frame.

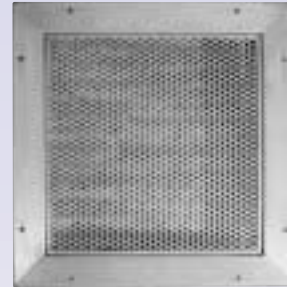
### Series Options:

**TYPE SS-PE:** Perforated face extract grille in 50mm flange frame.

**TYPE SS-PE-DS:** Perforated face extract grille in 50mm flange frame complete with opposed blade volume control damper

### Features

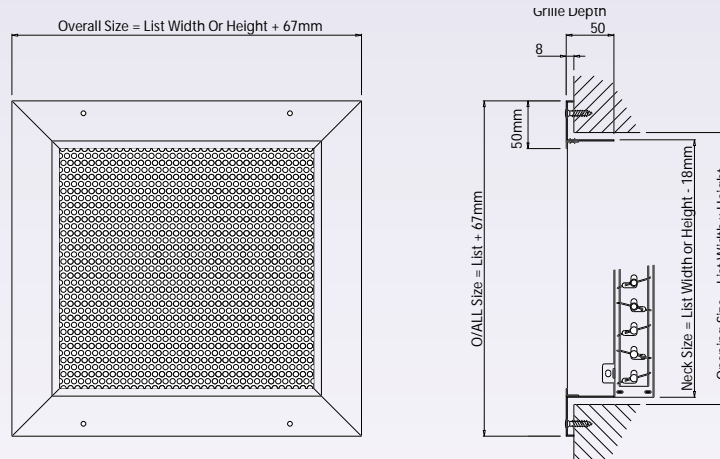
- Perforated Face Design
- Robust stainless Steel Fascia
- Flexible Size Range
- Fixed Core



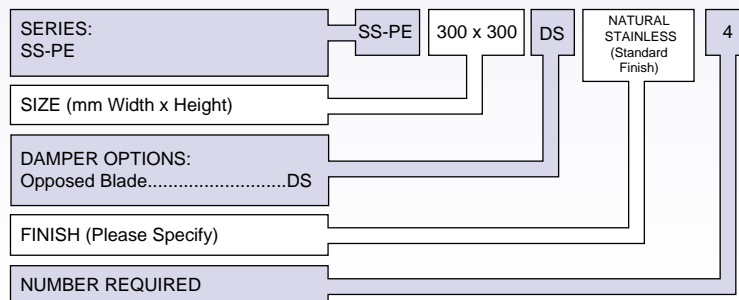
All units are available complete with matching stainless steel, screwdriver operated, opposed blade volume control damper mounted at rear.

Standard finish on the SS-PE Series is a natural stainless finish. A brushed stainless steel finish is available as an optional extra.

## Dimensional Data

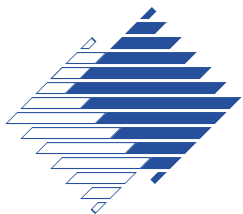


## Ordering Specification



### Size Range

Available sizes range from 100 x 100 up to 1200 x 600 in 25mm increments. For other sizes please contact head office



# SERIES SS-NV

## Introduction

Gilberts SS-NV Series provides a traditional range of stainless steel vision proof grilles to suit popular air transfer applications through walls and partitions. The steel V shape chevron blades are securely fixed into a robust 32mm flange

frame. With the blades mounted on a close 8mm pitch see through vision is impossible. The units are available in sizes ranging from 100 x 100 upto 1200 x 600 in 25mm increments. Standard fixing is flange screw and standard

## Series Options

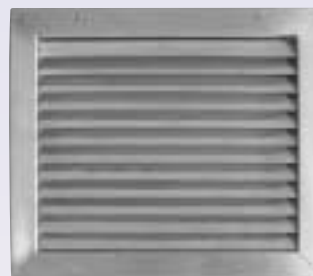
**Type SS-NV2** Vision proof core in 32mm flanged border. Designed for wall or partition mounting.

## Features

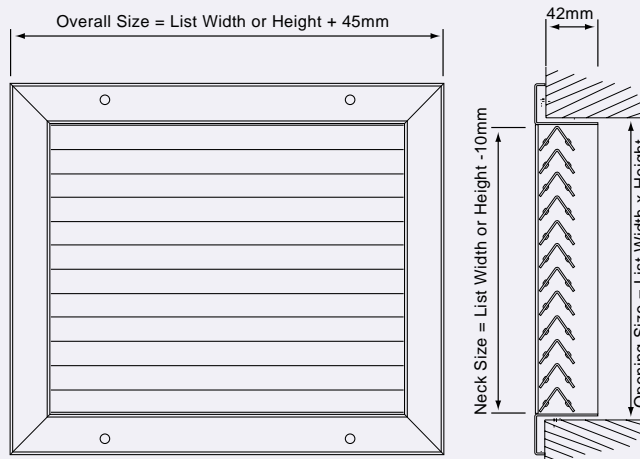
- Chevron Blade Vision Proof Core
- Wall or Partition Mounting
- Stainless Steel construction

## FIXING

Flange screw fixing using self tapping screws provided



## Dimensional Data



## Ordering Specification

|                                   |        |           |                            |   |
|-----------------------------------|--------|-----------|----------------------------|---|
| SERIES:<br>SS-NV2                 | SS-NV2 | 300 x 200 | NATURAL<br>STAINLESS (Std) | 4 |
| LIST SIZE:<br>(mm Width x Height) |        |           |                            |   |
| FINISH:<br>(Please Specify)       |        |           |                            |   |
| NUMBER REQUIRED                   |        |           |                            |   |

## Contact

### GILBERTS

Head Office and Works  
**GILBERTS (BLACKPOOL) LTD**

Gilair Works, Clifton Road,  
Blackpool.

Lancashire FY4 4QT.

Telephone: (01253) 766911

Fax: (01253) 767941

e-mail: [sales@gilbertsblackpool.com](mailto:sales@gilbertsblackpool.com)

Web: [www.gilbertsblackpool.com](http://www.gilbertsblackpool.com)

