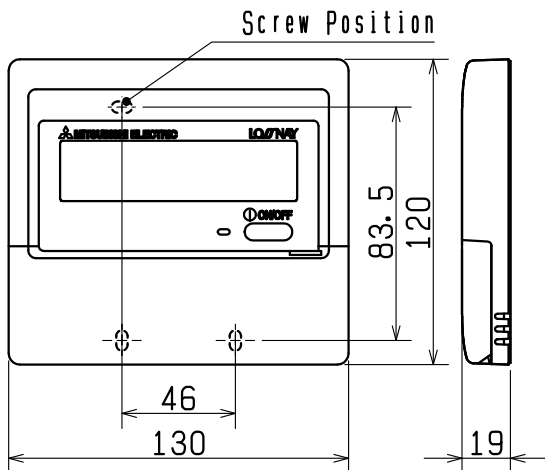


TYPE	LOSSNAY REMOTE CONTROLLER	VOLUME	
MODEL	PZ-60DR-E	SIGN	

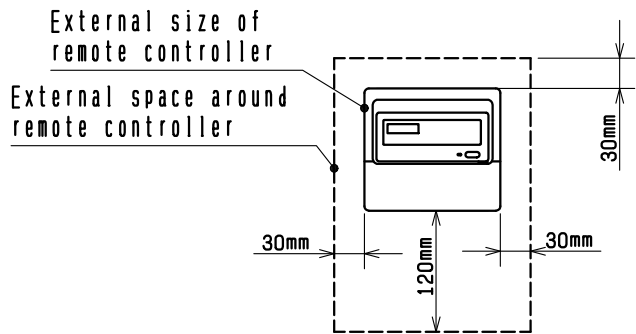
■ Specification

Model	PZ-60DR-E
Power supply requirement	10 to 15V DC (Supplied from Lossnay unit)
Control signal	Serial signal communication
Transmission cable	Non polarized 2-wire PVC $\phi 0.65 \sim \phi 1.2$ or $0.3 \sim 1.25 \text{mm}^2$
Total wiring length	500m maximum
Number of controllable Lossnay units	15 Lossnay units maximum (Max 2 remote controllers installable)
Environmental condition	Temperature: 0 to 40°C Humidity: 30% to 80% relative humidity (no condensation)
Weight	0.2kg
Color	Munsell 6.4Y8.9/0.4

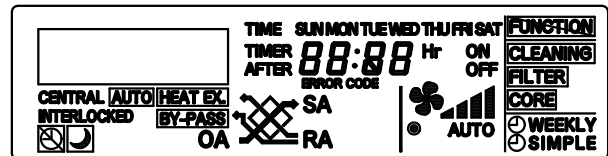
■ Outline drawings



■ Install Position



■ Display

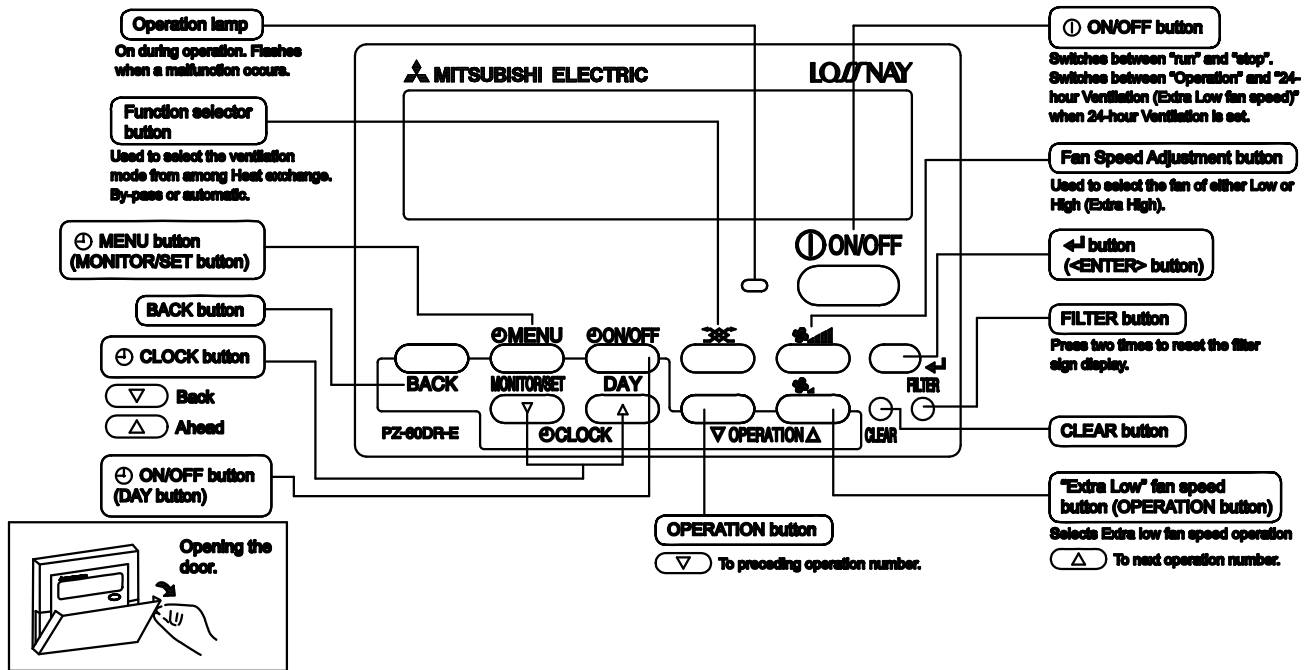


	UNIT	SCALE
	mm	N. T. S

- (1) Non polar transmission cable should be used (PVC insulated PVC jacketed and either between $\phi 0.65$ and $\phi 1.2$ or between 0.3mm^2 and 1.25mm^2 in cross section)
- (2) The total length of the transmission cable must be 500m or less.

SPECIFICATION	DATE	TYPE MODEL	LOSSNAY REMOTE CONTROLLER	
	01-Nov. -08		PZ-60DR-E	
MITSUBISHI ELECTRIC CORPORATION	NUMBER	ND108088	1 / 3	

Names and functions of various parts



Function

Control	ON/OFF setting	Change "run" and "stop". Change "Operation" and "Extra Low fan speed" when 24-hour Ventilation is set
	Fan speed	Select the fan speed Low and High (Extra High)
	Ventilation Mode	Select the Ventilation mode "Heat-Exchange", "By-pass", "Automatic"
	Extra low fan speed	Select the fan speed "Extra-Low" (Not available LGH-150RX5 & 200RX5)
	Timer setting	Weekly Timer (Set up to eight operations for each day of the week. Available ON/OFF together with Fan-speed setting) Simple Timer (Start and stop can be set only once within a 72 hours period.)
Display (LCD)	Power on indicator	● display (Power on), LED-on (Operation)
	Fan speed indicator	Display "High/Low" or "Extra High/Low"
	Extra Low fan speed indicator	Display "Extra -Low" (Not available LGH-150RX5 & 200RX5)
	CENTRAL display	Indicates operation of the remote controller has been prohibited by a main controller.
	INTERLOCKED display	Indicates when Lossnay starts off by interlocked Lossnay unit or external signal.
	Time/Timer display	Shows the current time, day of the week, time remaining.
	Night Purge display	Indicated during Night Purge mode.
	Locked indicator	Indicate when remote controller buttons have been locked.
	Cleaning indicator	Indicate when time to clean the filter and Lossnay-core.
	Automatic Fan speed indicator	Indicate during Automatic Fan speed operation.
	Error code indicator	Indicate unit number in malfunctioning with error code.
Not Available display	Indicate when the function is selected that the Lossnay unit can not perform.	

SPECIFICATION

DATE
01-Nov. -08

TYPE
MODEL

LOSSNAY REMOTE CONTROLLER
PZ-60DR-E

MITSUBISHI ELECTRIC CORPORATION

NUMBER

ND108088

2 / 3



Function selection

Function selection of remote controller

The setting of the following remote controller functions can be changed using the remote controller function selection mode. Change the setting when needed.

Item	Setting	Content
(1) Change Language	Language setting to display	Display in multiple languages is possible.
(2) Function limit	(1) Operation function limit setting (operation lock)	Setting the range of operation limit (operation lock)
	(2) 24-hour ventilation setting *2*5	Sets whether the ON/OFF button stops operation completely or initiates Extra low operation.
(3) Mode selection	(1) Use of clock setting *3	Setting the use or non-use of clock function
	(2) Timer function setting	Setting the timer type
	(3) Contact number setting for error situation	Contact number display in case of error Setting the telephone number
(4) Display change	(1) Filter cleaning setting	Set the schedule for "FILTER" indicator to appear after 3000-hour use, or no indication
	(2) Lossnay cores cleaning setting	Set the schedule for "CORE" indicator to appear after 6000-hour use, or no indication
(5) Installation setting *1 *2	(1) Supply fan speed setting	Sets Extra High/High fan speed selection, and Multi Ventilation modes
	(2) Exhaust fan speed setting	Sets Extra High/High fan speed selection, and Multi Ventilation modes
	(3) Power supply/exhaust when operation starts	Switching to power/supply exhaust when operation starts.
	(4) Subordinate Lossnay settings *4	Enable/disable subordinate Lossnay unit supply and exhaust fan speed settings.
	(5) Power supply ON/OFF/AUTO	Controls stop and start operation by turning the power supply (220V-240V) for the Lossnay on and off.
	(6) Operation monitor output selection	Sets whether the operation monitor will apply to the exhaust fan or the supply fan.
	(7) Exhaust fan speed selection for cold region	Sets exhaust fan speed for cold region intermittent operation.
	(8) Night purge setting *3	Enables/disables Night purge.
	(9) Bypass automatic ventilation priority setting	Selects the auto ventilation adjustment (AUTO) pattern.
(6) Interlocking settings *1 *2	(1) Interlock mode setting	These settings indicate how Lossnay should operate when external devices are started or stopped.
	(2) Pulse input setting	Set when pulse signal equipment is connected to an external input.
	(3) Delayed operation settings	Setting for delay (of operation at startup of heating or cooling)
	(4) Exhaust operation settings for air conditioner defrosting	Stopping exhaust fan when defrosting air conditioner.

(5) Installation settings and (6) Interlocking settings are selection modes that allow overriding of Lossnay unit Dip switches settings via remote controllers.

*1 When a remote controller is set to factory setting, the system operates according to the main unit Dip switch settings. When the remote controller settings are changed from the defaults, the system operates according to those settings. (The main unit switch settings are overridden.)

*2 If two remote controllers are used, these settings can be performed only for the "main" remote controller. These settings will be skipped for the "sub" remote controller and may not be modified. The designation of main and sub remote controller and are determined automatically upon main unit power-up.

The remote controller for which (5) and (6) are displayed in the Function Selection mode is the main remote controller.

*3 Clock use must be set for Weekly timer and Night purge operation.

Do not use the night purge function if fog or heavy rain is expected.
Rain water may enter the unit during the night.

*4 Applies only to the following functions. [Supply fan], [Exhaust fan], [Start up power supply and exhaust]

*5 For the Lossnay models without those functions, those setting items will be nondisplay.

SPECIFICATION	DATE	TYPE MODEL	LOSSNAY REMOTE CONTROLLER	
	01-Nov. -08		PZ-60DR-E	
MITSUBISHI ELECTRIC CORPORATION		NUMBER	ND108088	3 / 3